

ST31/ST31P (A821)

PARTS CATALOG

INTRODUCTION

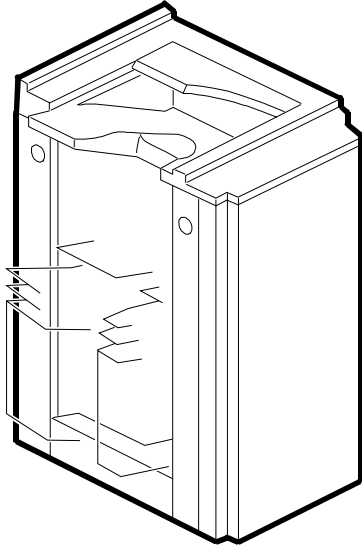
This chapter instructs you the numbers and names of parts on this machine.

INDEX to PARTS CATALOG

Location of Unit	2
1.Exterior (A821)	6
2.Grip Unit 1 (A821).....	8
3.Grip Unit 2 (A821).....	10
4.Staple Section 1 (A821).....	12
5.Staple Section 2 (A821).....	14
6.Bin Drive Section 1 (A821)	16
7.Bin Drive Section 2 (A821)	18
8.Electrical Section 1 (A821)	20
9.Electrical Section 2 (A821)	22
10.Proof Tray (A821)	24
11.Junction Gate (A821).....	26
12.Paper Exit Section (A821)	28
13.Frame Section (A821)	30
14.Punch Unit (A821)	32
15.Decal And Document (A821).....	34
Parts index	37

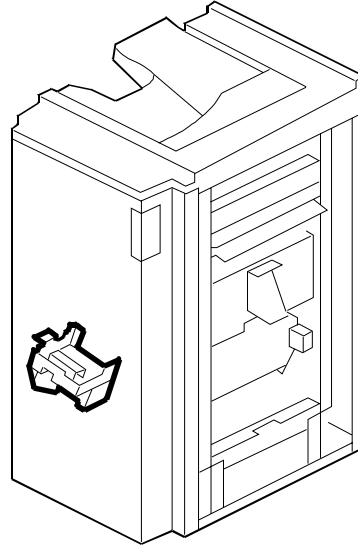
Location of Unit

1.Exterior (A821)



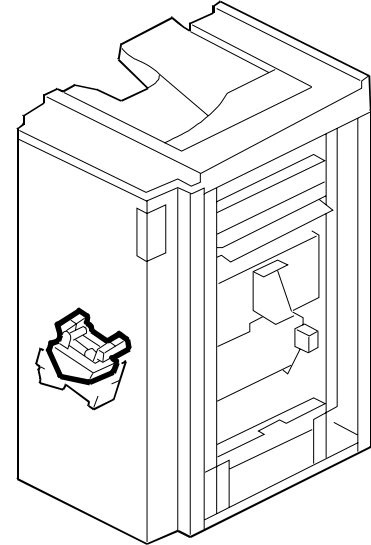
See Page 7

2.Grip Unit 1 (A821)



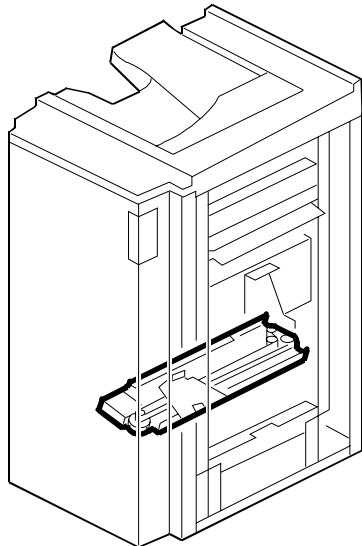
See Page 9

3.Grip Unit 2 (A821)



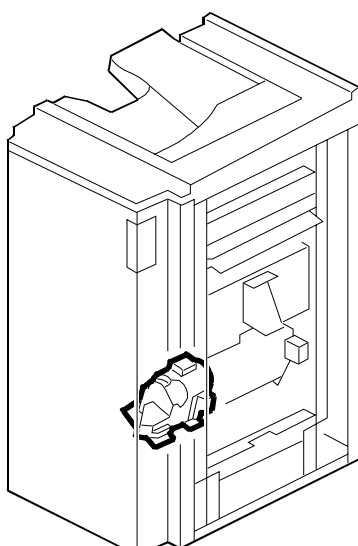
See Page 11

4.Staple Section 1 (A821)



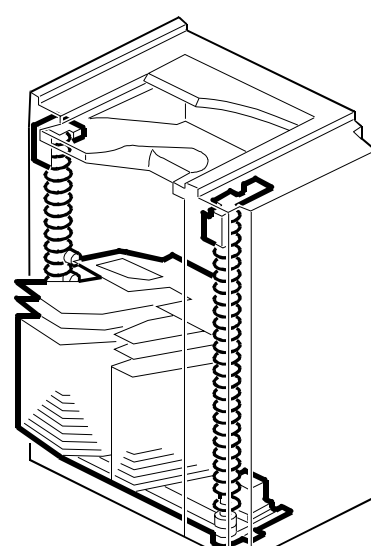
See Page 13

5.Staple Section 2 (A821)



See Page 15

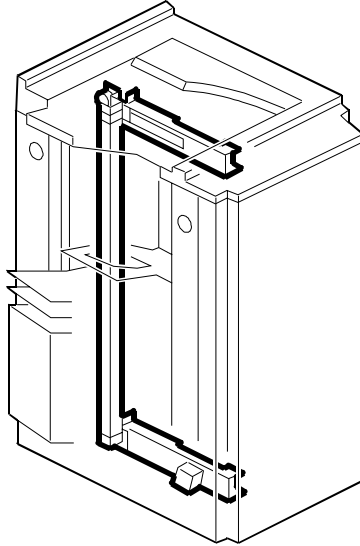
6.Bin Drive Section 1 (A821)



See Page 17

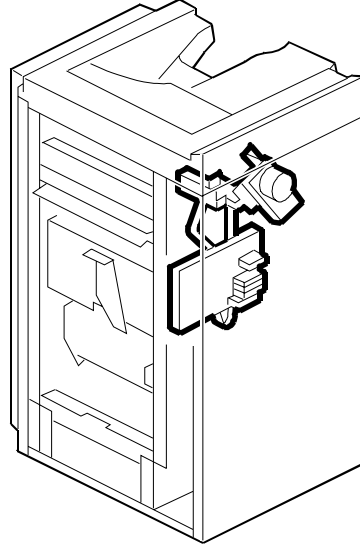
Location of Unit

7. Bin Drive Section 2 (A821)



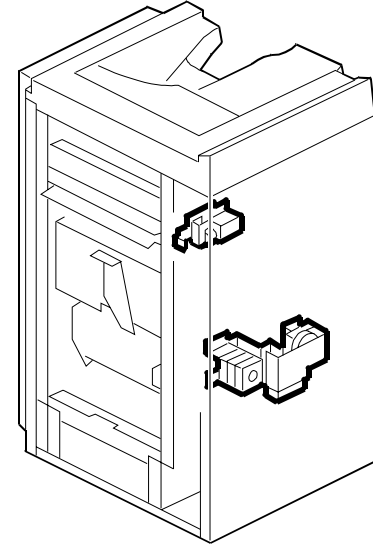
See Page 19

8. Electrical Section 1 (A821)



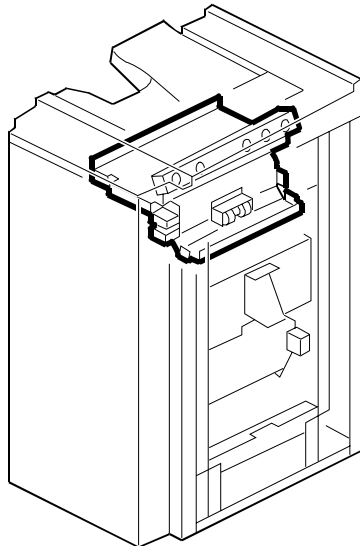
See Page 21

9. Electrical Section 2 (A821)



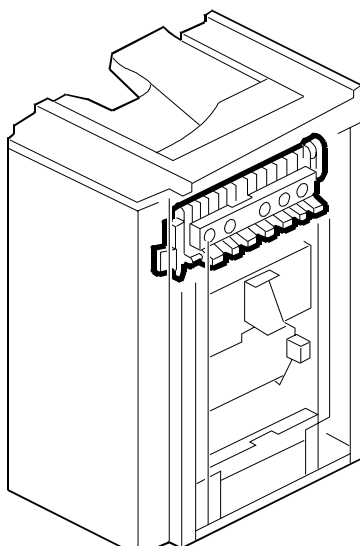
See Page 23

10. Proof Tray (A821)



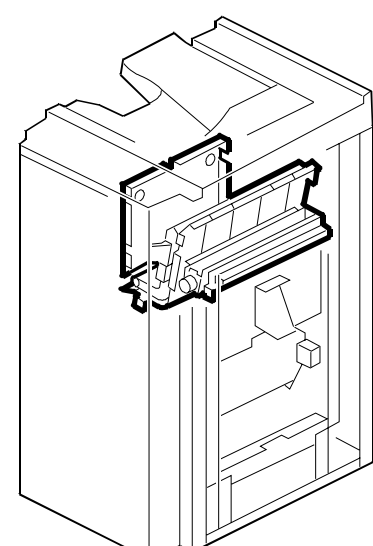
See Page 25

11. Junction Gate (A821)



See Page 27

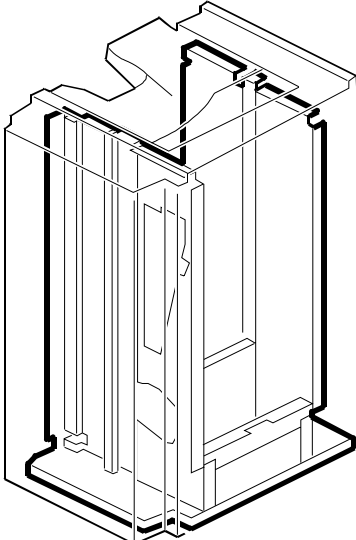
12. Paper Exit Section (A821)



See Page 29

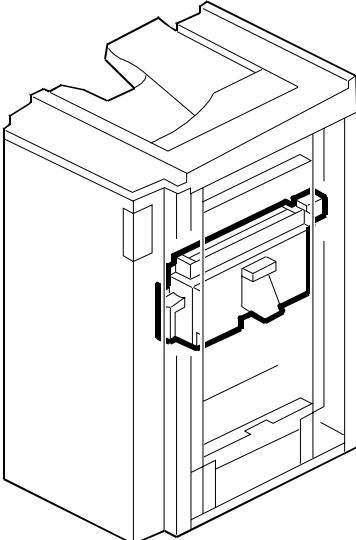
Location of Unit

13.Frame Section (A821)



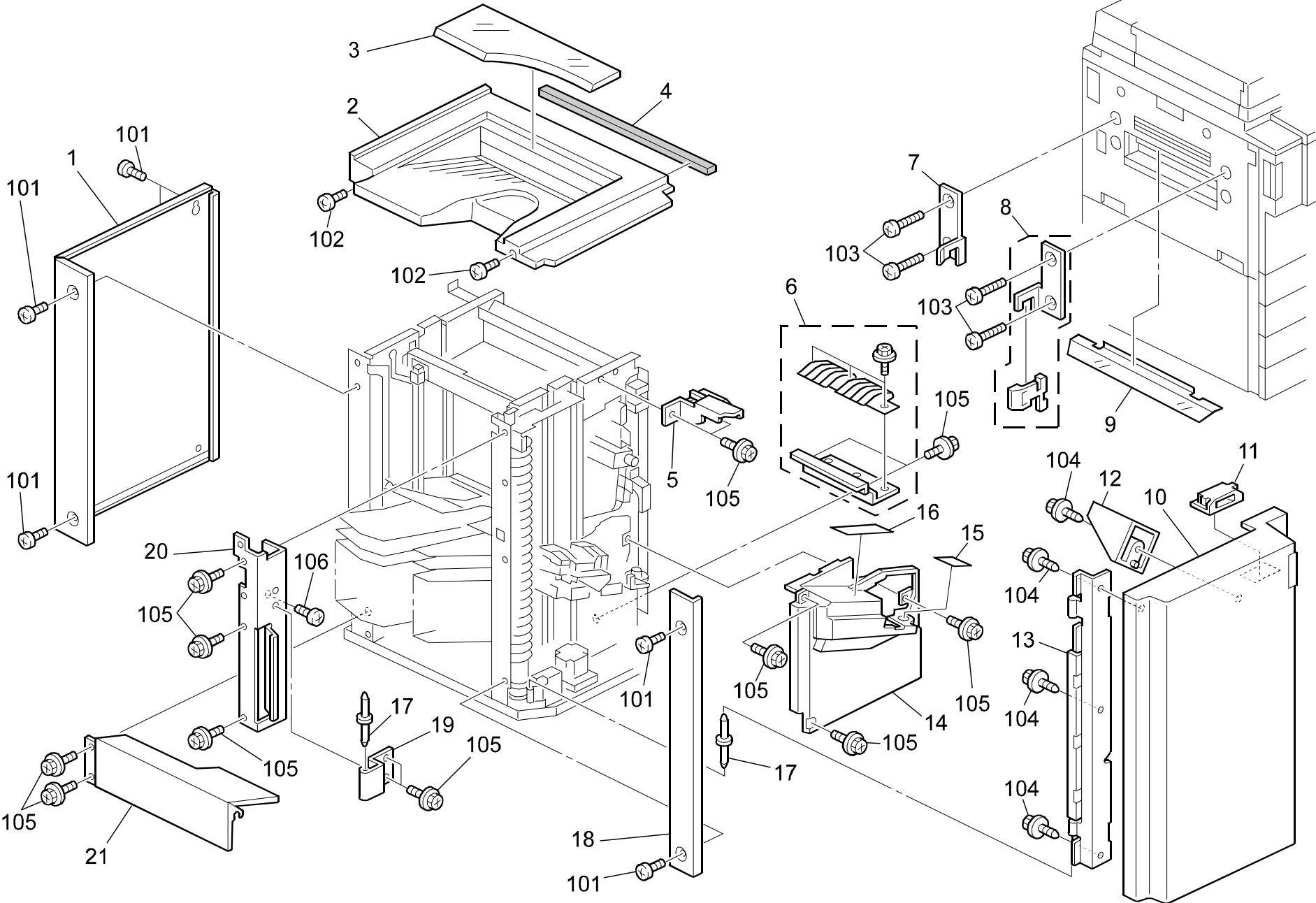
See Page 31

14.Punch Unit (A821)



See Page 33

1.Exterior (A821)



1.Exterior (A821)

Index No.	Part No.	Description	Q'ty Per Assembly
1	A606 1546	Rear Cover	1
2	A821 1511	Upper Cover	1
3	A821 1611	Proof Tray	1
4	A377 1671	Spacer Cushion	1
5	A821 1419	Door Bracket	1
6	A821 1195	Bracket - Ground Plate	1
7	A377 1187	Rear Joint Bracket	1
8	A821 1190	Joint Bracket	1
9	A377 2122	Entrance Guide	1
10	A821 1571	Front Door	1
11	G020 2630	Magnetic Catch	1
12	A606 1595	Small Door Cover	1
13	A821 1597	Door Supporting Plate	1
14	A821 1601	Inner Cover - Gripper	1
15	A821 1865	Decal - R4	1
16	A821 1860	Decal - Add Staple	1
17	A821 1643	Shaft - Door Hinge	1
18	A821 1521	Left Front Cover	1
19	A821 1642	Upper Hinge Bracket	1
20	A821 1631	Cam Cover	1
21	A606 1556	Left Cover	1

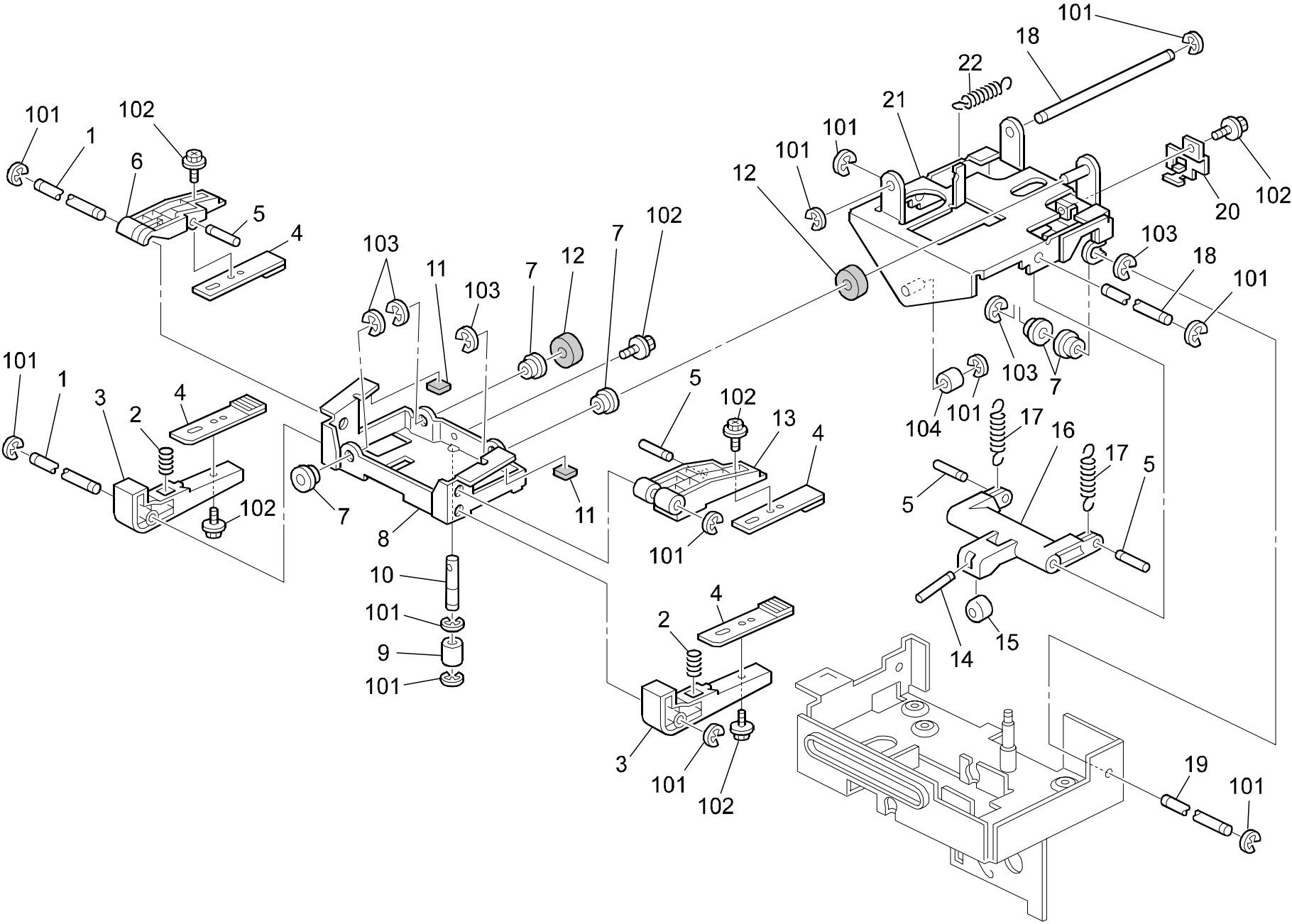
Index No.	Part No.	Description	Q'ty Per Assembly
101	0451 4006H	Tapping Screw 4x6	
102	0451 4008H	Tapping Screw - 4x8	
103	0354 0120B	Screw - M4X12	
104	0450 4008B	Tapping Screw - 4x8	
105	0451 4006B	Tapping Screw - 4x6	
106	0354 0060B	Screw - M4X6	

2.Grip Unit 1 (A821)

Index No.	Part No.	Description	Q'ty Per Assembly
1	AX05 0129	DC Stepper Motor - 7W	1
2	AB03 0216	Pulley - 15Z	1
3	A821 4543	Left Link	1
4	A821 4556	Shaft - Pressure Plate	2
5	A821 4551	Pressure Plate	1
6	A821 4541	Right Link	1
7	A821 4561	Return Lever	1
8	AA14 3314	Stepped Screw - M4x4	1
9	AA14 3444	Stepped Screw	1
10	A079 4914	Idle Roller - Gate Belt	1
11	AB03 0592	Timing Pulley	1
12	AA04 3904	Timing Belt - B40S2M376	1
13	5324 1658	Bushing- 4x8x4.5mm	1
14	A821 4571	Lever	1
15	5887 4400	Guide Roller - Driven Unit	1
16	AA08 0072	Bushing - 6x10x3	1
17	AW02 0075	Photointerrupter	1
18	A821 4547	Left Shaft - Short	1
19	A821 4546	Right Shaft - Short	1
20	A821 4511	Bracket - Gripper Fixing	1
21	AB03 0591	Timing Pulley - Drive	1
22	AA08 0071	Bushing -6x10x6	1
23	A821 4531	Pressure Lever	1
24	A499 2444	Middle Belt Roller	1
25	A821 4536	Shaft - Pressure Cam	1
26	A821 4521	Pressure Cam	1
27	5447 2681	Snap Ring	1
28	AA04 3903	Timing Belt - 186T	1

Index No.	Part No.	Description	Q'ty Per Assembly
101	0574 0040E	Hexagon Headless Set Screw - M4x4	
102	1005 0964	Cushion - Stepper Motor	
103	0451 3006B	Tapping Screw - M3x6	
104	1105 0310	Harness Clamp - LWS-1S	
105	0720 0040E	Retaining Ring - M4	
106	0951 4006B	Philips Screw With Washer - M4x6	
107	0720 0030E	Retaining Ring - M3	
108	0741 3506	Ball Bearing - 6x12x4 mm	
109	0633 0080G	Parallel Pin - 3x8	

3.Grip Unit 2 (A821)

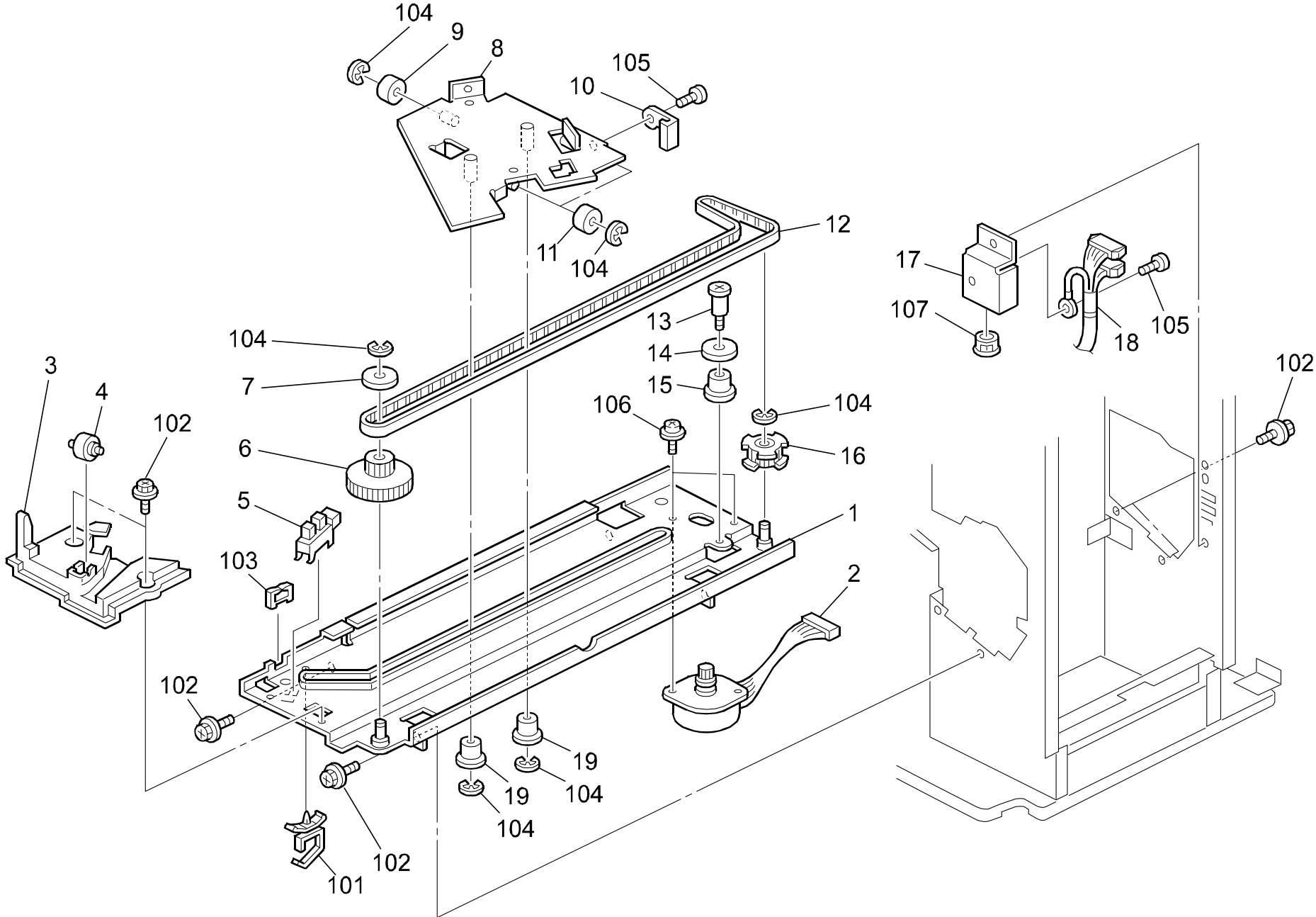


3.Grip Unit 2 (A821)

Index No.	Part No.	Description	Q'ty Per Assembly
1	A821 4441	Shaft - Gripper Arm	2
2	AA06 3528	Pressure Spring	2
3	A821 4431	Lower Arm	2
4	A821 4436	Gripper Arm	4
5	A821 4481	Pin - Pressure Spring	4
6	A821 4426	Left Upper Arm	1
7	AA08 2042	Bushing - 6x10x6.5mm	5
8	A821 4416	Gripper Bracket	1
9	A555 3231	Bin Guide Roller	1
10	A821 4446	Drive Shaft	1
11	A606 2328	Junction Gate Cushion	2
12	A377 4466	Cushion	2
13	A821 4421	Upper Right Arm	1
14	A821 4483	Pin - Roller Pressure	1
15	A821 4473	Pressure Arm Roller	1
16	A821 4471	Pressure Arm	1
17	AA06 0762	Tension Spring	1
18	A821 4486	Shaft - Gripper	1
19	A821 4581	Slide Shaft	1
20	A821 4491	Bracket - Belt Stopper	1
21	A821 4466	Gripper Middle Bracket	2
22	AA06 0547	Tension Spring	1

Index No.	Part No.	Description	Q'ty Per Assembly
101	0720 0040E	Retaining Ring - M4	
102	0451 3006B	Tapping Screw - M3x6	
103	0720 0080E	Retaining Ring - M8	
104	0805 3048	Needle Roller Bearing - 6x10x9	

4. Staple Section 1 (A821)

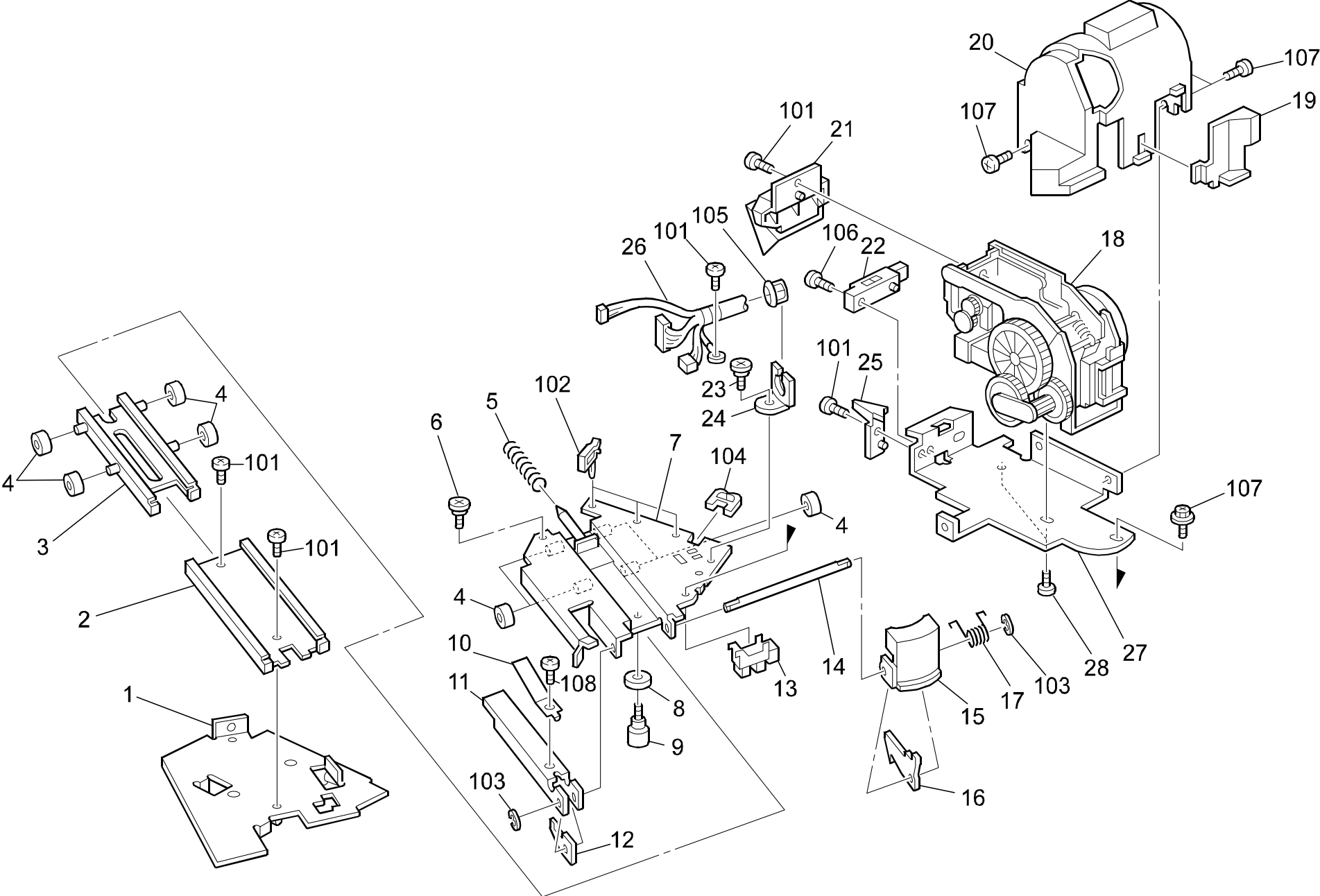


4.Staple Section 1 (A821)

Index No.	Part No.	Description	Q'ty Per Assembly
1	A821 4721	Stapler Stay Bracket Ass'y	1
2	AX04 0109	DC Stepper Motor - 9W	1
3	A606 4882	Guide Plate	1
4	A499 2444	Middle Belt Roller	1
5	AW02 0075	Photointerrupter	1
6	A606 4728	Pulley - 30Z	1
7	A300 3812	Spacer - 6x22x1.5	1
8	A606 4831	Stapler Slider	1
9	A606 4837	Roller - 12	1
10	A377 4736	Timing Belt Stopper	1
11	A377 4741	Roller - M14	1
12	AA04 3357	Timing Belt - 1110P2M6	1
13	A377 4726	Stepped Screw - M4x8x14	1
14	AA13 2152	Spacer - 8x20x1	1
15	5887 4185	Idler Pulley	1
16	AB03 0394	Timing Pulley - 30Z	1
17	A664 4745	Stapler Harness Cover	1
18	A606 5230	Stapler Harness	1
19	A377 4742	Slider Guide	2

Index No.	Part No.	Description	Q'ty Per Assembly
101	1105 0310	Harness Clamp - LWS-1S	
102	0451 4006B	Tapping Screw - 4x6	
103	1105 0328	Harness Clamp - ES-0505	
104	0720 0040E	Retaining Ring - M4	
105	0354 0060B	Screw - M4X6	
106	0951 3005B	Philips Screw With Flat Washer M3x5	
107	1106 0193	Bushing - 7.9mm	

5.Staple Section 2 (A821)

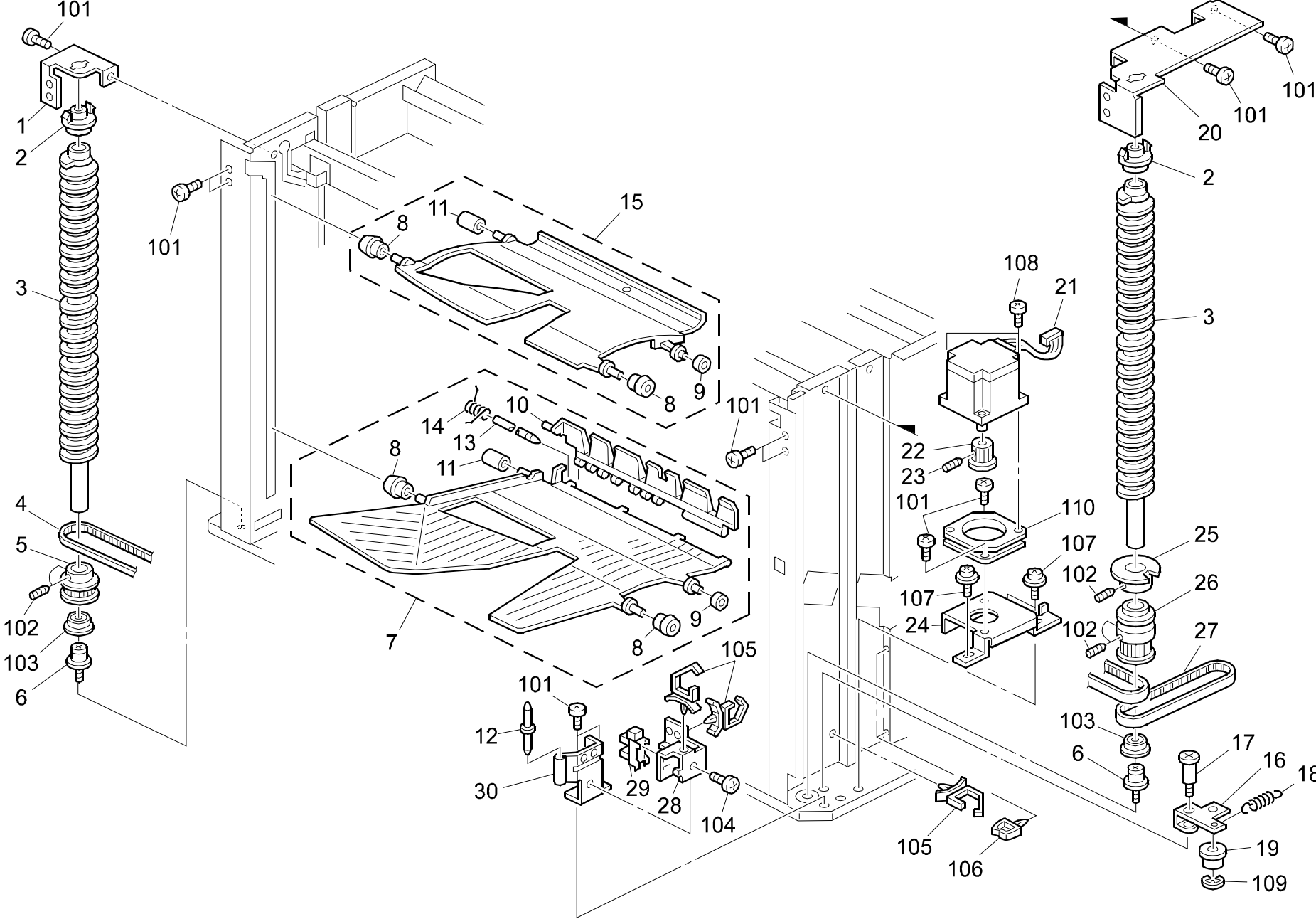


5.Staple Section 2 (A821)

Index No.	Part No.	Description	Q'ty Per Assembly
1	A606 4831	Stapler Slider	1
2	A606 4841	Slide Rail	1
3	A606 4851	Middle Bracket	1
4	A606 4854	Roller - 10	8
5	AA06 3544	Pressure Spring	1
6	5413 1882	Stepped Screw	1
7	A606 4861	Stapler Bracket	1
8	A606 4883	Spacer	1
9	A606 4881	Stepped Screw	1
10	A606 4873	Spring Plate	1
11	A606 4872	Stapler Stop Lever	1
12	A606 4871	Release Lever Bracket	1
13	AW02 0075	Photointerrupter	1
14	A606 4866	Lever Shaft - Long	1
15	A606 4865	Lock Lever Grip	1
16	A606 4864	Lock Lever	1
17	AA06 6558	Spring	1
18	AJ01 1010	Stapler - EH-560	1
19	A606 1606	Harness Cover	1
20	A606 1605	Stapler Cover	1
21	A606 1607	Entrance Guide	1
22	AW01 0070	Photosensor - PS-R11D1-B	1
23	5442 1659	Stepped Screw - M4	1
24	A377 4738	Harness Bracket	1
25	A606 4712	Stapler Entrance Guide	1
26	A606 5230	Stapler Harness	1
27	A606 4711	Stapler Solenoid	1
28	5875 2088	Shoulder Screw - M4	1

Index No.	Part No.	Description	Q'ty Per Assembly
101	0354 0060B	Screw - M4X6	
102	1105 0267	Harness Clamp - YMC-10-0	
103	0720 0040E	Retaining Ring - M4	
104	1105 0328	Harness Clamp - ES-0505	
105	1106 0193	Bushing - 7.9mm	
106	0353 0100B	Screw - M3X10	
107	0451 4006B	Tapping Screw - 4x6	
108	0314 0040B	Philips Pan Head Screw - M4x4	

6.Bin Drive Section 1 (A821)

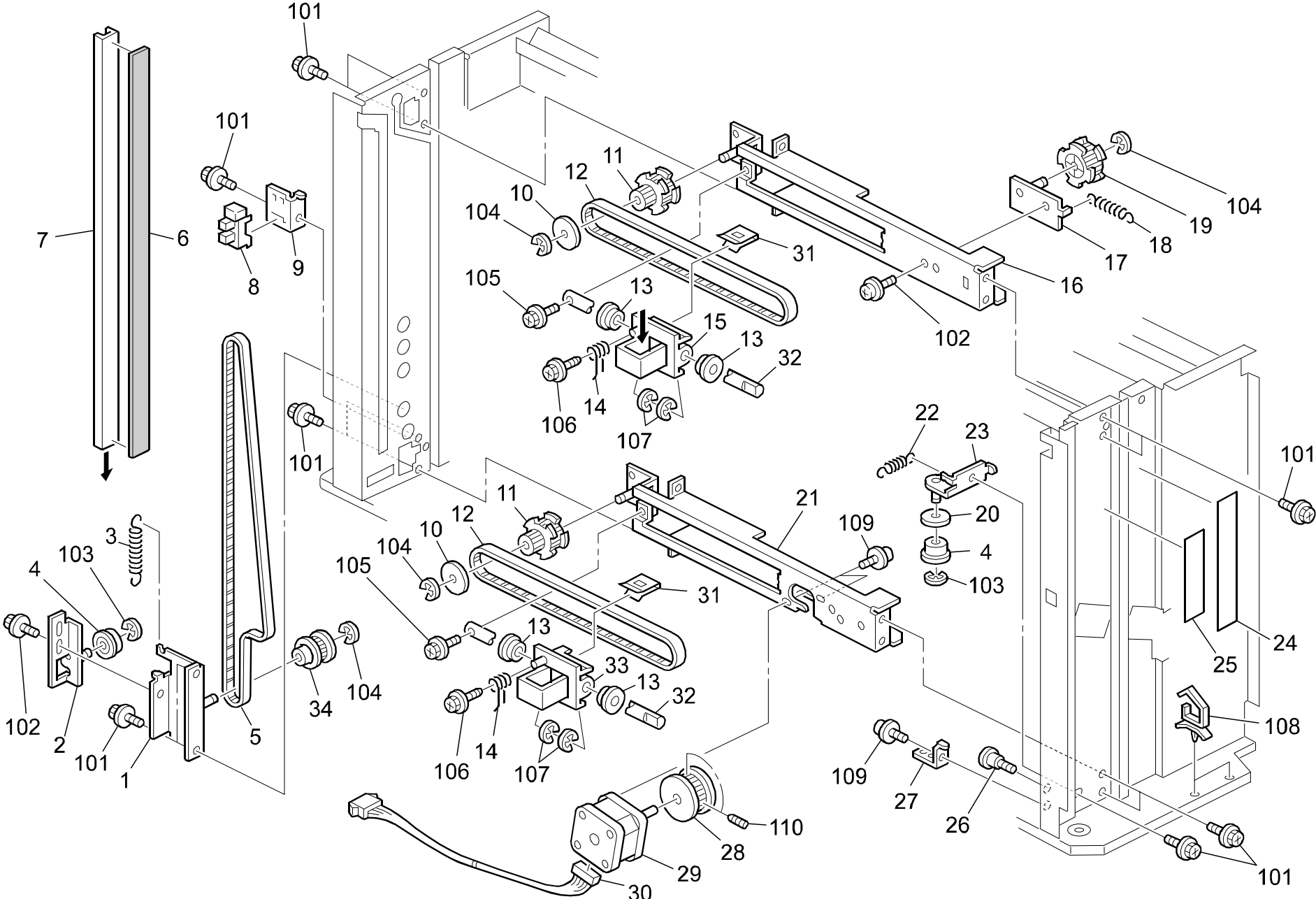


6.Bin Drive Section 1 (A821)

Index No.	Part No.	Description	Q'ty Per Assembly
1	A377 3136	Rear Left Fixing Plate	1
2	A377 3145	Helical Wheel Bushing	2
3	A606 3112	Long Helical Wheel	2
4	AA04 3352	Timing Belt - B60S3M918	1
5	A377 3151	Timing Pulley - 36Z	1
6	A377 1116	Stud Screw - M6	2
7	A821 3510	Bin - Ass'y	20
8	A377 3546	Guide Roller	42
9	A377 3447	Small Guide Roller	21
10	A606 3536	Bin end Fence	20
11	A821 3448	Bin Guide Roller - Long	21
12	A821 1643	Shaft - Door Hinge	1
13	A377 3441	End Fence Shaft	20
14	AA06 6580	Torsion Spring - Bin	20
15	A821 3560	Supporting Bin	1
16	A377 3262	Tension Bracket	1
17	A469 3142	Idle Pulley Stud - Long	1
18	AA06 0556	Tension Spring	1
19	5887 2291	Idle Roller	1
20	A377 3141	Front Fixing Plate	1
21	AX06 0161	DC Stepper Motor - 9.1W	1
22	AB03 0437	Timing Pulley - 18Z	1
23	A377 3255	Hexagon Headless Set Screw - M4x4	1
24	A377 3202	Stepping Motor Bracket	1
25	A377 3166	Bin Positioning Shutter	1
26	A377 3161	Timing Pulley - 36Z L8/L12	1
27	AA04 3353	Timing Belt - B100S3M300	1
28	A821 3212	Positioning Sensor Bracket	1
29	AW02 0075	Photointerrupter	1
30	A821 1646	Bracket - Lower Hinge	1

Index No.	Part No.	Description	Q'ty Per Assembly
101	0354 0060B	Screw - M4X6	
102	0574 0040E	Hexagon Headless Set Screw - M4x4	
103	0741 3006	Ball Bearing - 6x17x6mm	
104	0451 4006B	Tapping Screw - 4x6	
105	1105 0310	Harness Clamp - LWS-1S	
106	1105 0231	Clamp	
107	0951 4006B	Philips Screw With Washer - M4x6	
108	0354 0100B	Screw - M4X10	
109	0720 0060E	Retaining Ring - M6	
110	1005 0946	Stepping Motor Cushion	

7.Bin Drive Section 2 (A821)

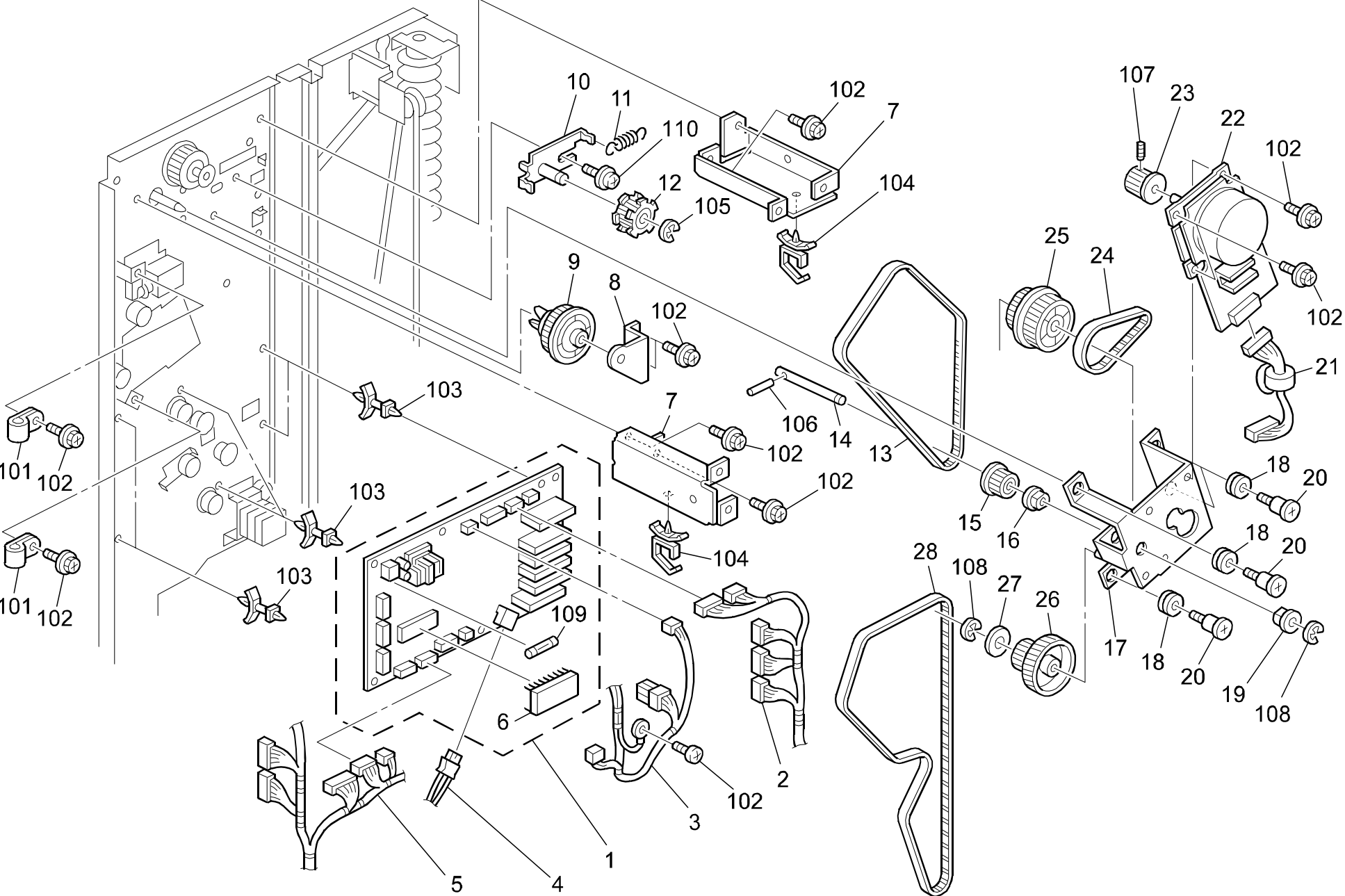


7.Bin Drive Section 2 (A821)

Index No.	Part No.	Description	Q'ty Per Assembly
1	A821 4181	Jogger Adjusting Bracket	1
2	A821 4186	Idler Bracket	1
3	AA06 0548	Tension Spring	1
4	5887 4185	Idler Pulley	2
5	AA04 3356	Timing Belt - B60S3M1680	1
6	A606 4156	Jogger Cushion	1
7	A377 4151	Jogger Plate	1
8	AW02 0075	Photointerrupter	1
9	A377 4161	Jogger Sensor Bracket	1
10	A300 3812	Spacer - 6x22x1.5	2
11	AB03 3051	Timing Pulley - 25Z	1
12	AA04 3354	Timing Belt - B40S3M633	1
13	AA08 2042	Bushing - 6x10x6.5mm	4
14	AA06 6549	Jogger Plate Spring	2
15	A377 4112	Upper Jogger Plate Holder	1
16	A664 4131	Upper Jogger Stay Ass'y	1
17	A377 4141	Pulley Bracket	1
18	AA06 0544	Tension Spring	1
19	AB03 0393	Timing Pulley - 25Z	1
20	AA13 2152	Spacer - 8x20x1	1
21	A664 4133	Lower Jogger Stay Ass'y	1
22	AA06 0555	Tension Spring	1
23	A377 3242	Adjusting Bracket	1
24	A821 1850	Decal - Misfed Removal	1
25	A606 1855	Decal - Misfeed Removal	1
26	5206 2684	Shoulder Screw - M3	1
27	5887 2245	Spring Anchor	1
28	A377 4216	Timing Pulley - 34Z	1
29	AX05 0128	DC Stepper Motor - 4.9W	1
30	A606 5250	Relay Harness - Jogger	1
31	A354 4475	Timing Belt Stopper - Side Fence	1
32	A377 4138	Jogger Shaft	1
33	A377 4122	Lower Jogger Plate Holder	1
34	5214 1811	Idle Pulley - 20z	1

Index No.	Part No.	Description	Q'ty Per Assembly
101	0451 4006B	Tapping Screw - 4x6	
102	0951 4006B	Philips Screw With Washer - M4x6	
103	0720 0060E	Retaining Ring - M6	
104	0720 0040E	Retaining Ring - M4	
105	0451 3010B	Tapping Screw - M3x10	
106	0450 3008B	Tapping Screw - M3x8	
107	0720 0080E	Retaining Ring - M8	
108	1105 0310	Harness Clamp - LWS-1S	
109	0951 3005B	Philips Screw With Flat Washer M3x5	
110	0574 0040E	Hexagon Headless Set Screw - M4x4	

8.Electrical Section 1 (A821)

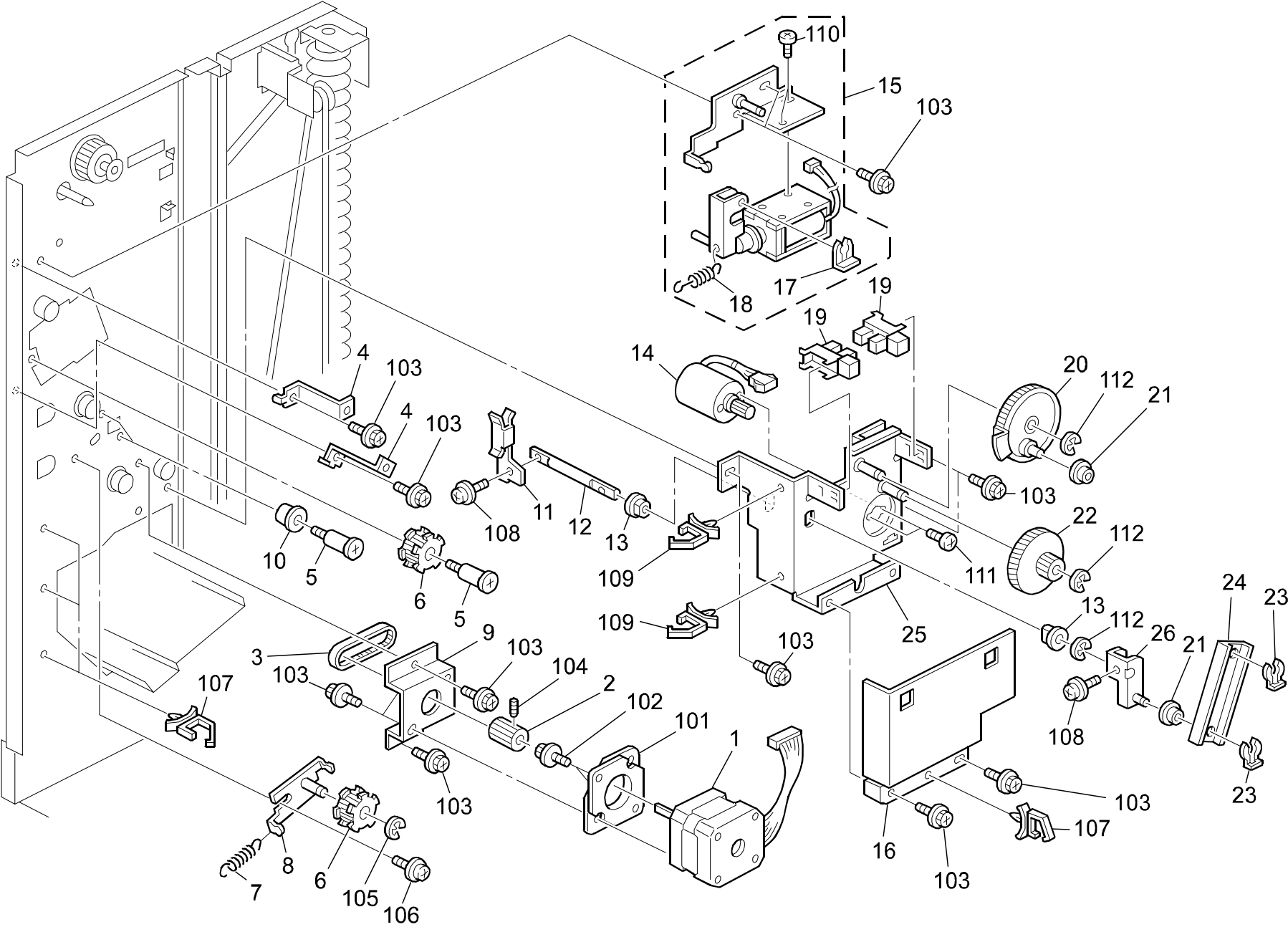


8.Electrical Section 1 (A821)

Index No.	Part No.	Description	Q'ty Per Assembly
1	A821 5100	Main Control Board	1
2	A821 5210	DC Harness - Motor	1
3	A821 5220	DC Harness - Power Supply	1
4	AW03 0032	Optical Fiber	1
5	A821 5200	DC Harness - Sensor	1
6	A821 5103	IC - Am27c512 - 120DC	1
7	A821 1636	Upper Rear Cover Bracket	1
8	A821 2397	Left Rear Bracket	1
9	A821 2396	Timing Pulley - 40T	1
10	A377 2221	Tightener	1
11	AA06 0092	Release Spring	1
12	AB03 0278	Idler - 20z	1
13	AA04 3350	Timing Belt - B60S3M426	1
14	AA14 5215	Clutch Shaft	1
15	AB03 0325	Pulley - 20Z	1
16	AA08 0071	Bushing -6x10x6	1
17	A821 2216	Motor Bracket	1
18	A377 2217	Cushion - T1.2	4
19	5053 0447	Bushing - 6mm	1
20	5403 6246	Stepped Screw - Cleaning	4
21	A664 5230	DC Harness - Main Motor	1
22	AX05 0098	DC Motor - D24v 6W	1
23	AB03 0535	Timing Pulley - 27Z	1
24	AA04 3273	Timing Belt - S2M:156	1
25	AB03 3087	Timing Pulley - 20T/70Z	1
26	AB03 3054	Gear Pulley - 70/20Z	1
27	A300 3812	Spacer - 6x22x1.5	1
28	AA04 3349	Timing Belt - 660P3M6	1

Index No.	Part No.	Description	Q'ty Per Assembly
101	1105 0034	Nylon Clamp - 7n	
102	0451 4006B	Tapping Screw - 4x6	
103	1105 0134	Locking Support	
104	1105 0310	Harness Clamp - LWS-1S	
105	0720 0060E	Retaining Ring - M6	
106	0632 0100G	Pin - 2x10mm	
107	0574 0040E	Hexagon Headless Set Screw - M4x4	
108	0720 0040E	Retaining Ring - M4	
109	1107 0884	Fuse - 5A 250V	
110	0951 4006B	Philips Screw With Washer - M4x6	

9.Electrical Section 2 (A821)

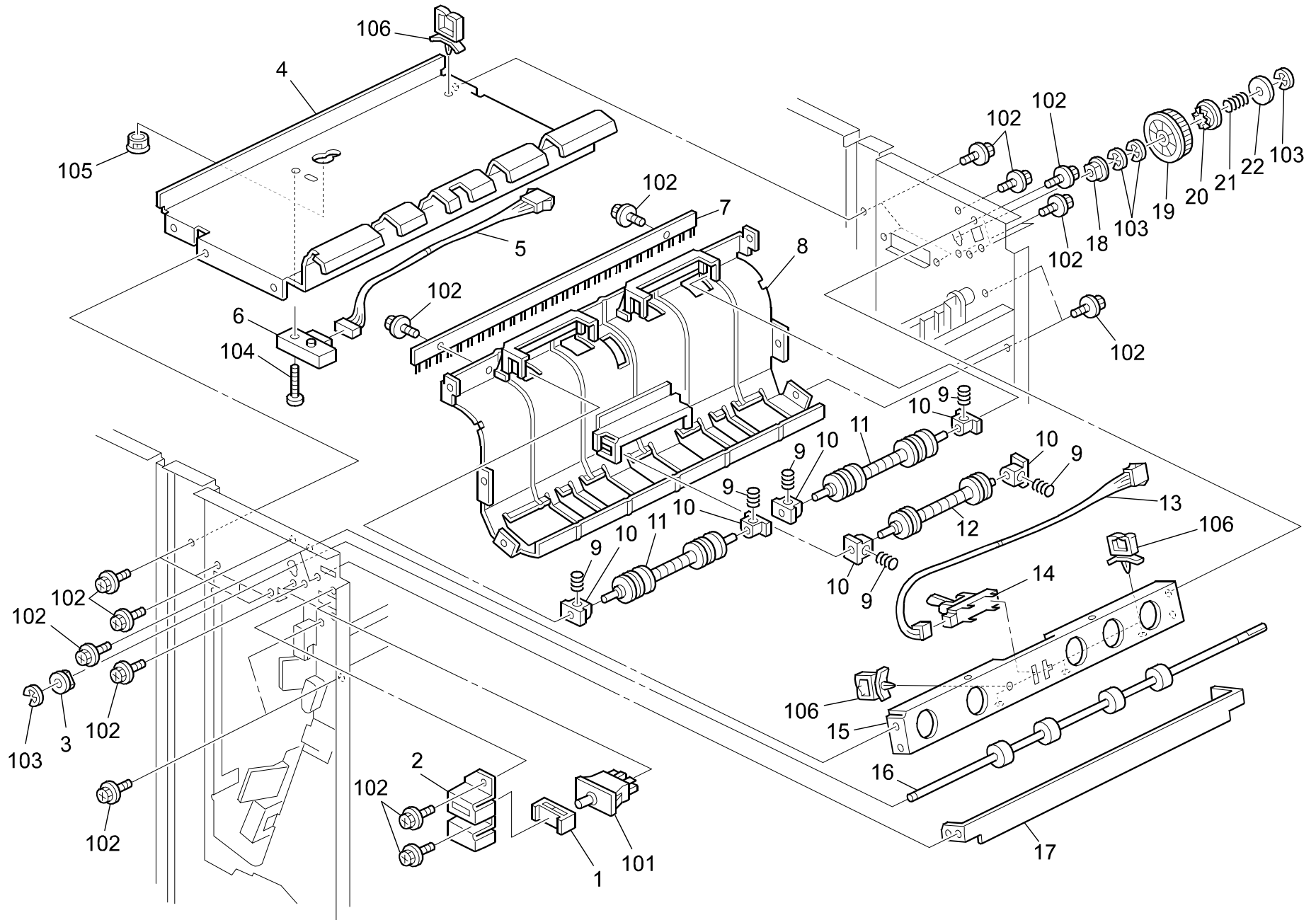


9.Electrical Section 2 (A821)

Index No.	Part No.	Description	Q'ty Per Assembly
1	AX05 0131	DC Stepper Motor - 3.6W	1
2	AB03 0435	Timing Pulley - 16Z	1
3	AA04 3348	Timing Belt - 150P3M6	1
4	5442 5839	Angle - Cord Clamp 30	2
5	AA14 3462	Idler Stud - M4	2
6	AB03 0278	Idler - 20Z	1
7	AA06 0092	Release Spring	1
8	A377 2221	Tightener	1
9	A377 2231	Stepping Motor Bracket	1
10	AB03 3070	Idler Roller	1
11	A377 3321	End Fence Guide	1
12	A377 3323	Link Shaft	1
13	5053 0447	Bushing - 6mm	2
14	AX04 0053	DC Motor - 24V/2.2W	1
15	A821 2341	Junction Gate Solenoid	1
16	A377 3331	Harness Cover	1
17	5206 2686	Snap Ring	1
18	A377 2346	Tension Spring - 20.5mm	1
19	AW02 0075	Photointerrupter	2
20	A377 3326	Gear - 70Z	1
21	AA08 0072	Bushing - 6x10x3	2
22	AB01 7305	Gear -18/78Z	1
23	5447 2681	Snap Ring	2
24	A377 3322	End Fence Link	1
25	A821 3311	End Fence Bracket	1
26	A377 3315	Link Bracket	1

Index No.	Part No.	Description	Q'ty Per Assembly
101	1005 0964	Cushion - Stepper Motor	
102	0451 3006B	Tapping Screw - M3x6	
103	0451 4006B	Tapping Screw - 4x6	
104	0574 0040E	Hexagon Headless Set Screw - M4x4	
105	0720 0060E	Retaining Ring - M6	
106	0951 4006B	Philips Screw With Washer - M4x6	
107	1105 0310	Harness Clamp - LWS-1S	
108	0951 3005B	Philips Screw With Flat Washer M3x5	
109	1105 0291	Harness Clamp - LWS-3S	
110	0353 0050B	Philips Truss Head Screw - M3x5	
111	0800 0072	Philips Pan Head Screw - M2.6x4	
112	0720 0040E	Retaining Ring - M4	

10.Proof Tray (A821)

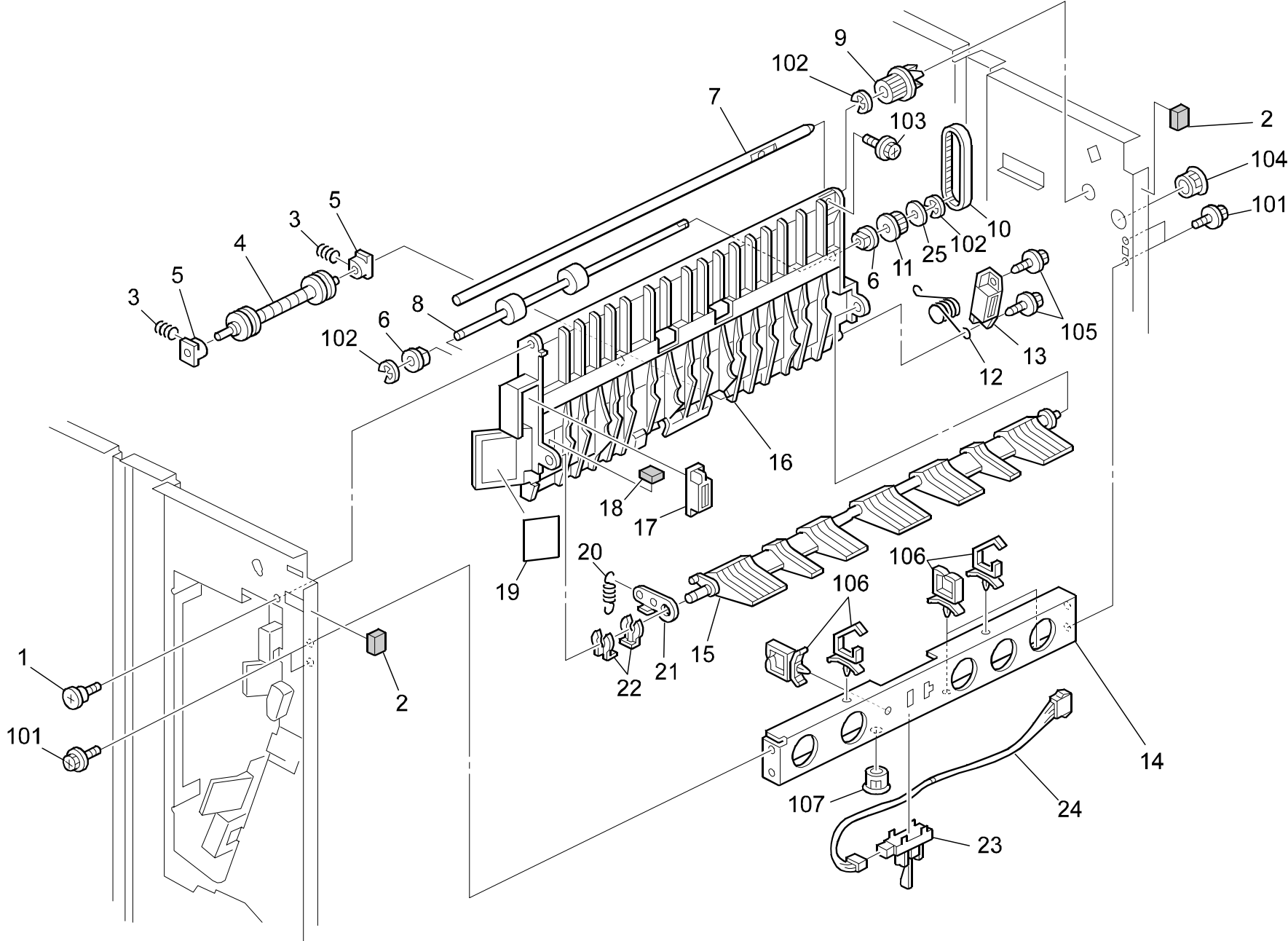


10.Proof Tray (A821)

Index No.	Part No.	Description	Q'ty Per Assembly
1	A821 1662	Interlock Switch Lever	1
2	A821 1661	Interlock Switch Cover	1
3	5053 0447	Bushing - 6mm	1
4	A821 1141	Upper Stay	1
5	A606 5270	Bin Sensor Harness - Upper	1
6	AW02 0087	Photosensor - LNB4301	1
7	AA12 0027	Antistatic Brush	1
8	A821 2311	Right Guide Plate	1
9	AA06 3529	Pressure Spring - 14.5mm	6
10	AA08 0034	Bushing - 4x5x7	6
11	A821 2361	Exit Driven Roller	2
12	AF02 2097	Driven Roller	1
13	A377 5460	Transport Sensor Harness	1
14	AW02 0049	Photointerruptor - OS - 580213-703	1
15	A664 1151	Stay	1
16	AF02 0450	Exit Roller	1
17	A821 2316	Guide Plate - Left Upper	1
18	AA08 0071	Bushing -6x10x6	1
19	A821 2395	Timing Pulley - 40T	1
20	A354 1266	Torque Limiter Collar	1
21	A300 3826	Pressre Spping	1
22	A300 3812	Spacer - 6x22x1.5	1

Index No.	Part No.	Description	Q'ty Per Assembly
101	1204 2384	Interlock Switch	
102	0451 4006B	Tapping Screw - 4x6	
103	0720 0040E	Retaining Ring - M4	
104	0353 0140B	Bind Screw - M3x14	
105	1106 0193	Bushing - 7.9mm	
106	1105 0196	Harness Clamp	

11.Junction Gate (A821)

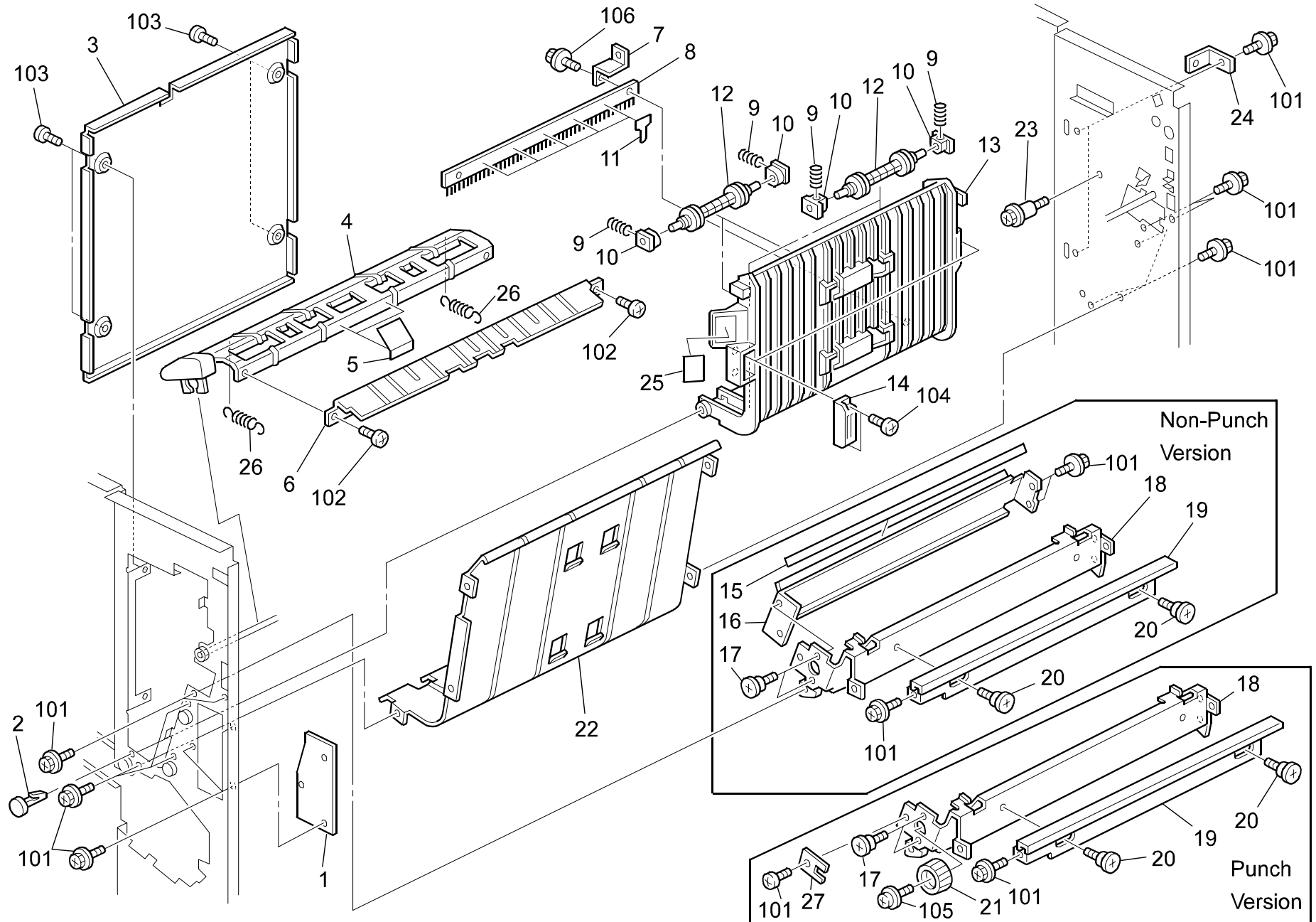


11.Junction Gate (A821)

Index No.	Part No.	Description	Q'ty Per Assembly
1	5447 2768	Stepped Screw - M3	1
2	A606 1123	Spacer	2
3	AA06 3529	Pressure Spring - 14.5mm	2
4	AF02 2097	Driven Roller	1
5	AA08 0034	Bushing - 4x5x7	2
6	AA08 0071	Bushing -6x10x6	1
7	A821 2335	Shaft - Left Guide Plate	1
8	AF02 0449	Transport Roller	1
9	A821 2391	Timing Pulley - 20T	1
10	AA04 3272	Timing Belt - S2M 84T	1
11	A376 1292	Front Timing Pulley	1
12	AA06 6298	Torsion Spring	1
13	AG07 0015	Magnet Catch	1
14	A664 1151	Stay	1
15	A821 2331	Junction Gate	1
16	A821 2321	Left Guide Plate	1
17	AG07 1010	Magnet Catch	1
18	A606 2328	Junction Gate Cushion	1
19	A377 1870	Decal - R1	1
20	5940 2641	Feed-in Solenoid Spring	1
21	A821 2332	Lever - Junction Gate	1
22	5215 2621	Snap Ring - M6	1
23	AW02 0049	Photointerruptor - OS - 580213-703	1
24	A377 5460	Transport Sensor Harness	1
25	A300 3822	Spacer - 11x15x1	1

Index No.	Part No.	Description	Q'ty Per Assembly
101	0451 4006B	Tapping Screw - 4x6	
102	0720 0040E	Retaining Ring - M4	
103	0353 0080B	Screw - M3X8	
104	1106 0430	Bushing - 13mm	
105	0450 3008B	Tapping Screw - M3x8	
106	1105 0196	Harness Clamp	
107	1106 0193	Bushing - 7.9mm	

12. Paper Exit Section (A821)



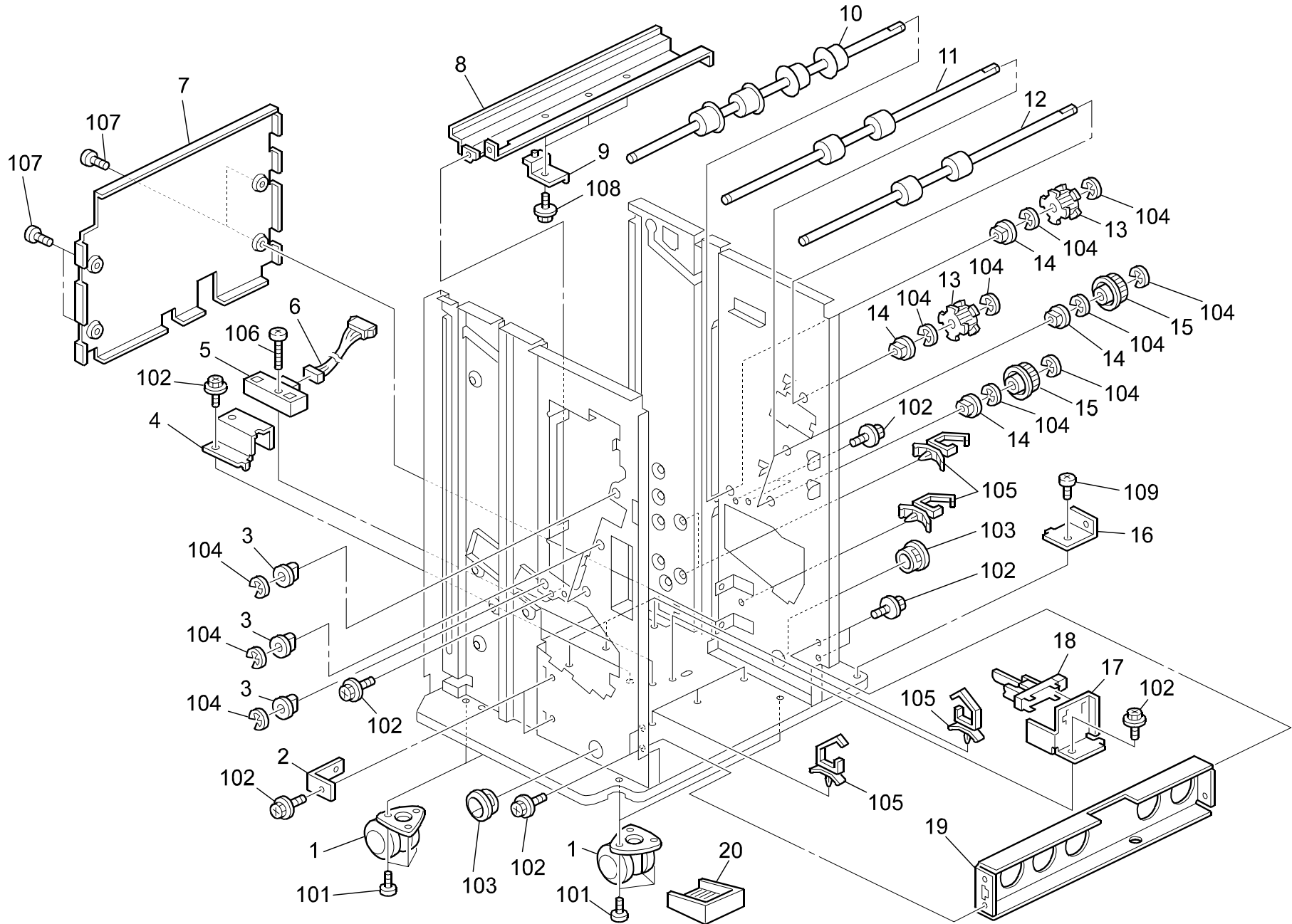
12.Paper Exit Section (A821)

Index No.	Part No.	Description	Q'ty Per Assembly
1	A821 1126	Front Cover - Punch	1
2	A821 2151	Stopper:Guide Plate:Left/Lower	1
3	A377 1621	Upper Inner Cover	1
4	A606 2180	Lower Entrance Guide	1
5	A377 2115	Lower Guide Mylar	1
6	A606 2126	Relay Guide	1
7	A377 2142	Grounding Spring Plate	1
8	A377 2144	Antistatic Brush	1
9	AA06 3529	Pressure Spring - 14.5mm	8
10	AA08 0034	Bushing - 4x5x7	8
11	A377 2146	Exit Guide Mylar	1
12	AF02 2097	Driven Roller	4
13	A821 2141	Left Lower Guide	1
14	AG07 0004	Magnetic Catch	1
15	A377 2166	Middle Guide Mylar	1
16	A377 2161	Middle Guide Plate	1
17	5403 2075	Stepped Screw	2
18	A664 1181	Stay:Middle	1
19	A377 1182	Joint Lever	1
20	5413 1882	Stepped Screw	1
21	A377 7161	Punch Knob	1
22	A664 2131	Guide Plate:right Lower	1
23	AA14 3484	Shaft - Torsion Spring	1
24	A377 1656	Inner Cover Angle	1
25	A377 1875	Decal - R2	1
26	AA06 0657	Pressure Spring	2
27	A377 7165	Punch Lock Bracket	1



Index No.	Part No.	Description	Q'ty Per Assembly
101	0451 4006B	Tapping Screw - 4x6	
102	0354 0050B	Bind Screw - M4x5	
103	0354 0060Z	Philips Truss Head Screw - M4x6	
104	0452 3010B	Tapping Bind Screw - M3x10	
105	0951 4006W	Philips Screw With Flat Washer - M4x6	
106	0450 4012B	Tapping Screw - M4x12	

13.Frame Section (A821)



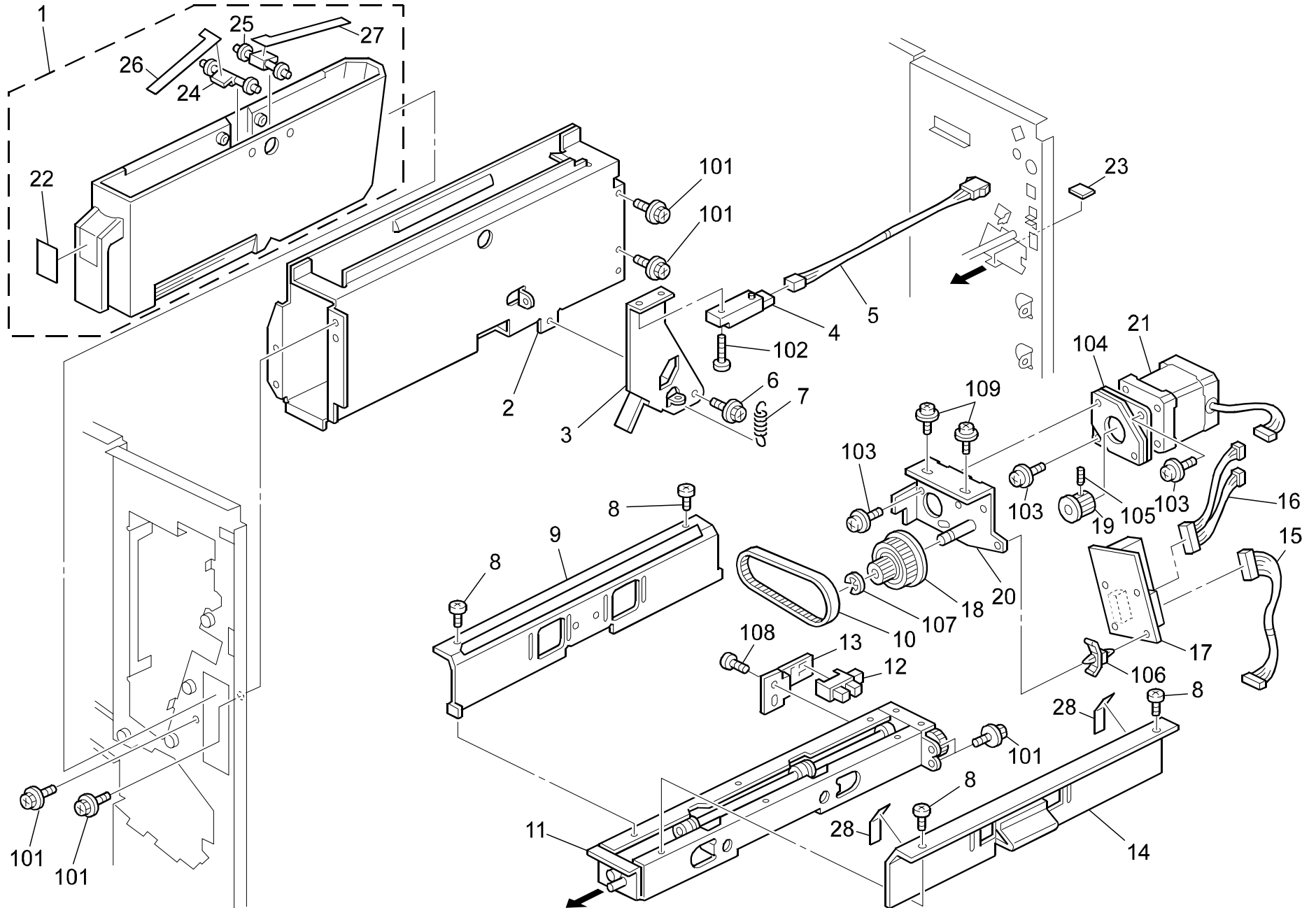
13.Frame Section (A821)

Index No.	Part No.	Description	Q'ty Per Assembly
1	AH01 2010	Caster - 50M	4
2	A377 1656	Inner Cover Angle	1
3	5053 0447	Bushing - 6mm	3
4	A377 1666	Lower Sensor Cover	1
5	AW02 0088	Photosensor - PNB4301	1
6	A606 5280	Bin Sensor Harness - Lower	1
7	A377 1626	Lower Inner Cover	1
8	A821 1171	Stay:Exit	1
9	A821 1176	Paper Stopper	1
10	AF02 0306	Exit Roller	1
11	AF02 0304	Transport Roller	1
12	AF02 0305	Transport Roller	1
13	AB03 0374	Timing Pulley - 20Z	2
14	AA08 0071	Bushing -6x10x6	4
15	AB03 0434	Timing Pulley - 20Z	2
16	A377 1637	Lower Rear Cover Bracket	1
17	A377 3222	Home Position Sensor Bracket	1
18	AW02 0049	Photointerruptor - OS - 580213-703	1
19	A664 1151	Stay	1
20	A498 6085	Caster Stopper	2



Index No.	Part No.	Description	Q'ty Per Assembly
101	0315 0080B	Philips Pan Head Screw - M5x8	
102	0451 4006B	Tapping Screw - 4x6	
103	1106 0349	Bushing - 25	
104	0720 0040E	Retaining Ring - M4	
105	1105 0310	Harness Clamp - LWS-1S	
106	0453 3014B	Taping Screw - M3x14	
107	0354 0060Z	Philips Truss Head Screw - M4x6	
108	0451 3006B	Tapping Screw - M3x6	
109	0354 0060B	Screw - M4X6	

14. Punch Unit (A821)



14.Punch Unit (A821)

Index No.	Part No.	Description	Q'ty Per Assembly
1	A821 7200	Punch Waste Box	1
2	A697 1150	Hopper Bracket	1
3	A812 7321	Dust Hopper Stopper	1
4	AW01 0070	Photosensor - PS-R11D1-B	1
5	A821 5240	DC Harness - Hopper	1
6	A697 1125	Stepped Screw - Lever	1
7	A812 7331	Lock Spring	1
8	5875 2088	Shoulder Screw - M4	4
9	A377 7130	Left Guide (2Holes)	1
9	A606 7131	Left Guide (3Holes)	1
10	AA04 3226	Timing Belt - 180S2M	1
11	A821 7110	Punch Unit - 2 Holes	1
11	A821 7115	Punch Unit - 3 Hole	1
12	AW02 0075	Photointerrupter	1
13	A377 7147	H.P. Sensor Bracket	1
14	A377 7121	Right Guide (2 Holes)	1
14	A606 7121	Right Guide (3 Holes)	1
15	A606 5310	Relay Harness	1
16	A606 5300	Punch Harness	1
17	A606 5110	Punch Control Board	1
18	AB03 3061	Pulley - 50/15Z (2 Holes)	1
18	AB03 3078	Pulley - 50/15Z (3 Holes)	1
19	AB03 0472	Pulley - 30Z	1
20	A606 7141	Punch Drive Bracket (2 Holes)	1
20	A821 7161	Punch Drive Bracket (3 Holes)	1
21	AX05 0130	Stepper Motor - DC5.04W	1
22	A606 1885	Decal - Hopper	1
23	A469 2123	Rubber Cushion - 1x10x10mm	1
24	A812 7212	Pin - Front	1
25	A812 7213	Pin - Rear	1
26	A812 7214	Film - Front	1
27	A812 7215	Film - Rear	1
28	A821 7126	Guide Mylar	2

Index No.	Part No.	Description	Q'ty Per Assembly
101	0451 4006B	Tapping Screw - 4x6	
102	0353 0100B	Screw - M3X10	
103	0951 3005B	Philips Screw With Flat Washer M3x5	
104	1005 0964	Cushion - Stepper Motor	
105	0574 0040E	Hexagon Headless Set Screw - M4x4	
106	1105 0159	PCB Stud	
107	0720 0060E	Retaining Ring - M6	
108	0354 0060B	Screw - M4X6	
109	0951 4006B	Philips Screw With Washer - M4x6	

15. Decal And Document (A821)

<p>1</p>	<p>2</p>	<p>3</p>	
<p>10</p>	<p>4</p>	<p>5</p>	<p>6</p>
		<p>7</p>	
		<p>8</p>	

15.Decal And Document (A821)

Index No.	Part No.	Description	Q'ty Per Assembly
1	A821 1850	Decal - Misfed Removal	1
2	A821 1860	Decal - Add Staple	1
3	A606 1890	Decal - Punch Position (2 Holes)	1
3	A606 1895	Decal - Punch Position (3 Holes)	1
4	A606 1855	Decal - Misfeed Removal	1
5	A606 1885	Decal - Hopper	1
6	A377 1875	Decal - R2	1
7	A377 1870	Decal - R1	1
8	A821 1865	Decal - R4	1

Index No.	Part No.	Description	Q'ty Per Assembly

PARTS INDEX

Part No.	Description	Page and Index No.
A821 1126	Front Cover - Punch	29- 1
A821 1141	Upper Stay	25- 4
A821 1171	Stay:Exit	31- 8
A821 1176	Paper Stopper	31- 9
A821 1190	Joint Bracket	7- 8
A821 1195	Bracket - Ground Plate	7- 6
A821 1419	Door Bracket	7- 5
A821 1511	Upper Cover	7- 2
A821 1521	Left Front Cover	7- 18
A821 1571	Front Door	7- 10
A821 1597	Door Supporting Plate	7- 13
A821 1601	Inner Cover - Gripper	7- 14
A821 1611	Proof Tray	7- 3
A821 1631	Cam Cover	7- 20
A821 1636	Upper Rear Cover Bracket	21- 7
A821 1642	Upper Hinge Bracket	7- 19
A821 1643	Shaft - Door Hinge	7- 17
A821 1643	Shaft - Door Hinge	17- 12
A821 1646	Bracket - Lower Hinge	17- 30
A821 1661	Interlock Switch Cover	25- 2
A821 1662	Interlock Switch Lever	25- 1
A821 1850	Decal - Misfed Removal	35- 1
A821 1850	Decal - Misfed Removal	19- 24
A821 1860	Decal - Add Staple	7- 16
A821 1860	Decal - Add Staple	35- 2
A821 1865	Decal - R4	35- 8
A821 1865	Decal - R4	7- 15
A821 2141	Left Lower Guide	29- 13
A821 2151	Stopper:Guide Plate:Left/Lower	29- 2
A821 2216	Motor Bracket	21- 17
A821 2311	Right Guide Plate	25- 8
A821 2316	Guide Plate - Left Upper	25- 17
A821 2321	Left Guide Plate	27- 16
A821 2331	Junction Gate	27- 15
A821 2332	Lever - Junction Gate	27- 21

Part No.	Description	Page and Index No
A821 2335	Shaft - Left Guide Plate	27- 7
A821 2341	Junction Gate Solenoid	23- 15
A821 2361	Exit Driven Roller	25- 11
A821 2391	Timing Pulley - 20T	27- 9
A821 2395	Timing Pulley - 40T	25- 19
A821 2396	Timing Pulley - 40T	21- 9
A821 2397	Left Rear Bracket	21- 8
A821 3212	Positioning Sensor Bracket	17- 28
A821 3311	End Fence Bracket	23- 25
A821 3448	Bin Guide Roller - Long	17- 11
A821 3510	Bin - Ass'y	17- 7
A821 3560	Supporting Bin	17- 15
A821 4181	Jogger Adjusting Bracket	19- 1
A821 4186	Idler Bracket	19- 2
A821 4416	Gripper Bracket	11- 8
A821 4421	Upper Right Arm	11- 13
A821 4426	Left Upper Arm	11- 6
A821 4431	Lower Arm	11- 3
A821 4436	Gripper Arm	11- 4
A821 4441	Shaft - Gripper Arm	11- 1
A821 4446	Drive Shaft	11- 10
A821 4466	Gripper Middle Bracket	11- 21
A821 4471	Pressure Arm	11- 16
A821 4473	Pressure Arm Roller	11- 15
A821 4481	Pin - Pressure Spring	11- 5
A821 4483	Pin - Roller Pressure	11- 14
A821 4486	Shaft - Gripper	11- 18
A821 4491	Bracket - Belt Stopper	11- 20
A821 4511	Bracket - Gripper Fixing	9- 20
A821 4521	Pressure Cam	9- 26
A821 4531	Pressure Lever	9- 23
A821 4536	Shaft - Pressure Cam	9- 25
A821 4541	Right Link	9- 6
A821 4543	Left Link	9- 3
A821 4546	Right Shaft - Short	9- 19

Part No.	Description	Page and Index No.
A821 4547	Left Shaft - Short	9- 18
A821 4551	Pressure Plate	9- 5
A821 4556	Shaft - Pressure Plate	9- 4
A821 4561	Return Lever	9- 7
A821 4571	Lever	9- 14
A821 4581	Slide Shaft	11- 19
A821 4721	Stapler Stay Bracket Ass'y	13- 1
A821 5100	Main Control Board	21- 1
A821 5103	IC - Am27c512 - 120DC	21- 6
A821 5200	DC Harness - Sensor	21- 5
A821 5210	DC Harness - Motor	21- 2
A821 5220	DC Harness - Power Supply	21- 3
A821 5240	DC Harness - Hopper	33- 5
A821 7110	Punch Unit - 2 Holes	33- 11
A821 7115	Punch Unit - 3 Hole	33- 11
A821 7126	Guide Mylar	33- 28
A821 7161	Punch Drive Bracket (3 Holes)	33- 20
A821 7200	Punch Waste Box	33- 1

Part No.	Description	Page and Index No
AA04 3226	Timing Belt - 180S2M	33- 10
AA04 3272	Timing Belt - S2M 84T	27- 10
AA04 3273	Timing Belt - S2M:156	21- 24
AA04 3348	Timing Belt - 150P3M6	23- 3
AA04 3349	Timing Belt - 660P3M6	21- 28
AA04 3350	Timing Belt - B60S3M426	21- 13
AA04 3352	Timing Belt - B60S3M918	17- 4
AA04 3353	Timing Belt - B100S3M300	17- 27
AA04 3354	Timing Belt - B40S3M633	19- 12
AA04 3356	Timing Belt - B60S3M1680	19- 5
AA04 3357	Timing Belt - 1110P2M6	13- 12
AA04 3903	Timing Belt - 186T	9- 28
AA04 3904	Timing Belt - B40S2M376	9- 12
AA06 0092	Release Spring	21- 11
AA06 0092	Release Spring	23- 7
AA06 0544	Tension Spring	19- 18
AA06 0547	Tension Spring	11- 22
AA06 0548	Tension Spring	19- 3
AA06 0555	Tension Spring	19- 22
AA06 0556	Tension Spring	17- 18
AA06 0657	Pressure Spring	29- 26
AA06 0762	Tension Spring	11- 17
AA06 3528	Pressure Spring	11- 2
AA06 3529	Pressure Spring - 14.5mm	27- 3
AA06 3529	Pressure Spring - 14.5mm	25- 9
AA06 3529	Pressure Spring - 14.5mm	29- 9
AA06 3544	Pressure Spring	15- 5
AA06 6298	Torsion Spring	27- 12
AA06 6549	Jogger Plate Spring	19- 14
AA06 6558	Spring	15- 17
AA06 6580	Torsion Spring - Bin	17- 14
AA08 0034	Bushing - 4x5x7	27- 5
AA08 0034	Bushing - 4x5x7	25- 10
AA08 0034	Bushing - 4x5x7	29- 10
AA08 0071	Bushing -6x10x6	21- 16

Part No.	Description	Page and Index No.
AA08 0071	Bushing -6x10x6	27- 6
AA08 0071	Bushing -6x10x6	25- 18
AA08 0071	Bushing -6x10x6	9- 22
AA08 0071	Bushing -6x10x6	31- 14
AA08 0072	Bushing - 6x10x3	9- 16
AA08 0072	Bushing - 6x10x3	23- 21
AA08 2042	Bushing - 6x10x6.5mm	19- 13
AA08 2042	Bushing - 6x10x6.5mm	11- 7
AA12 0027	Antistatic Brush	25- 7
AA13 2152	Spacer - 8x20x1	13- 14
AA13 2152	Spacer - 8x20x1	19- 20
AA14 3314	Stepped Screw - M4x4	9- 8
AA14 3444	Stepped Screw	9- 9
AA14 3462	Idler Stud - M4	23- 5
AA14 3484	Shaft - Torsion Spring	29- 23
AA14 5215	Clutch Shaft	21- 14
AB01 7305	Gear -18/78Z	23- 22
AB03 0216	Pulley - 15Z	9- 2
AB03 0278	Idler - 20z	21- 12
AB03 0278	Idler - 20Z	23- 6
AB03 0325	Pulley - 20Z	21- 15
AB03 0374	Timing Pulley - 20Z	31- 13
AB03 0393	Timing Pulley - 25Z	19- 19
AB03 0394	Timing Pulley - 30Z	13- 16
AB03 0434	Timing Pulley - 20Z	31- 15
AB03 0435	Timing Pulley - 16Z	23- 2
AB03 0437	Timing Pulley - 18Z	17- 22
AB03 0472	Pulley - 30Z	33- 19
AB03 0535	Timing Pulley - 27Z	21- 23
AB03 0591	Timing Pulley - Drive	9- 21
AB03 0592	Timing Pulley	9- 11
AB03 3051	Timing Pulley - 25Z	19- 11
AB03 3054	Gear Pulley - 70/20Z	21- 26
AB03 3061	Pulley - 50/15Z (2 Holes)	33- 18
AB03 3070	Idler Roller	23- 10

Part No.	Description	Page and Index No
AB03 3078	Pulley - 50/15Z (3 Holes)	33- 18
AB03 3087	Timing Pulley - 20T/70Z	21- 25
AF02 0304	Transport Roller	31- 11
AF02 0305	Transport Roller	31- 12
AF02 0306	Exit Roller	31- 10
AF02 0449	Transport Roller	27- 8
AF02 0450	Exit Roller	25- 16
AF02 2097	Driven Roller	27- 4
AF02 2097	Driven Roller	29- 12
AF02 2097	Driven Roller	25- 12
AG07 0004	Magnetic Catch	29- 14
AG07 0015	Magnet Catch	27- 13
AG07 1010	Magnet Catch	27- 17
AH01 2010	Caster - 50M	31- 1
AJ01 1010	Stapler - EH-560	15- 18
AW01 0070	Photosensor - PS-R11D1-B	15- 22
AW01 0070	Photosensor - PS-R11D1-B	33- 4
AW02 0049	Photointerruptor - OS - 580213-703	25- 14
AW02 0049	Photointerruptor - OS - 580213-703	27- 23
AW02 0049	Photointerruptor - OS - 580213-703	31- 18
AW02 0075	Photointerrupter	33- 12
AW02 0075	Photointerrupter	23- 19
AW02 0075	Photointerrupter	19- 8
AW02 0075	Photointerrupter	17- 29
AW02 0075	Photointerrupter	15- 13
AW02 0075	Photointerrupter	13- 5
AW02 0075	Photointerrupter	9- 17
AW02 0087	Photosensor - LNB4301	25- 6
AW02 0088	Photosensor - PNB4301	31- 5
AW03 0032	Optical Fiber	21- 4
AX04 0053	DC Motor - 24V/2.2W	23- 14
AX04 0109	DC Stepper Motor - 9W	13- 2
AX05 0098	DC Motor - D24v 6W	21- 22
AX05 0128	DC Stepper Motor - 4.9W	19- 29
AX05 0129	DC Stepper Motor - 7W	9- 1

Part No.	Description	Page and Index No.
AX05 0130	Stepper Motor - DC5.04W	33- 21
AX05 0131	DC Stepper Motor - 3.6W	23- 1
AX06 0161	DC Stepper Motor - 9.1W	17- 21
G020 2630	Magnetic Catch	7- 11

Part No.	Description	Page and Index No
A079 4914	Idle Roller - Gate Belt	9- 10
A300 3812	Spacer - 6x22x1.5	13- 7
A300 3812	Spacer - 6x22x1.5	21- 27
A300 3812	Spacer - 6x22x1.5	25- 22
A300 3812	Spacer - 6x22x1.5	19- 10
A300 3822	Spacer - 11x15x1	27- 25
A300 3826	Pressre Spping	25- 21
A354 1266	Torque Limiter Collar	25- 20
A354 4475	Timing Belt Stopper - Side Fence	19- 31
A376 1292	Front Timing Pulley	27- 11
A377 1116	Stud Screw - M6	17- 6
A377 1182	Joint Lever	29- 19
A377 1187	Rear Joint Bracket	7- 7
A377 1621	Upper Inner Cover	29- 3
A377 1626	Lower Inner Cover	31- 7
A377 1637	Lower Rear Cover Bracket	31- 16
A377 1656	Inner Cover Angle	31- 2
A377 1656	Inner Cover Angle	29- 24
A377 1666	Lower Sensor Cover	31- 4
A377 1671	Spacer Cushion	7- 4
A377 1870	Decal - R1	27- 19
A377 1870	Decal - R1	35- 7
A377 1875	Decal - R2	29- 25
A377 1875	Decal - R2	35- 6
A377 2115	Lower Guide Mylar	29- 5
A377 2122	Entrance Guide	7- 9
A377 2142	Grounding Spring Plate	29- 7
A377 2144	Antistatic Brush	29- 8
A377 2146	Exit Guide Mylar	29- 11
A377 2161	Middle Guide Plate	29- 16
A377 2166	Middle Guide Mylar	29- 15
A377 2217	Cushion - T1.2	21- 18
A377 2221	Tightener	23- 8
A377 2221	Tightener	21- 10
A377 2231	Stepping Motor Bracket	23- 9

Part No.	Description	Page and Index No.
A377 2346	Tension Spring - 20.5mm	23- 18
A377 3136	Rear Left Fixing Plate	17- 1
A377 3141	Front Fixing Plate	17- 20
A377 3145	Helical Wheel Bushing	17- 2
A377 3151	Timing Pulley - 36Z	17- 5
A377 3161	Timing Pulley - 36Z L8/L12	17- 26
A377 3166	Bin Positioning Shutter	17- 25
A377 3202	Stepping Motor Bracket	17- 24
A377 3222	Home Position Sensor Bracket	31- 17
A377 3242	Adjusting Bracket	19- 23
A377 3255	Hexagon Headless Set Screw - M4x4	17- 23
A377 3262	Tension Bracket	17- 16
A377 3315	Link Bracket	23- 26
A377 3321	End Fence Guide	23- 11
A377 3322	End Fence Link	23- 24
A377 3323	Link Shaft	23- 12
A377 3326	Gear - 70Z	23- 20
A377 3331	Harness Cover	23- 16
A377 3441	End Fence Shaft	17- 13
A377 3447	Small Guide Roller	17- 9
A377 3546	Guide Roller	17- 8
A377 4112	Upper Jogger Plate Holder	19- 15
A377 4122	Lower Jogger Plate Holder	19- 33
A377 4138	Jogger Shaft	19- 32
A377 4141	Pulley Bracket	19- 17
A377 4151	Jogger Plate	19- 7
A377 4161	Jogger Sensor Bracket	19- 9
A377 4216	Timing Pulley - 34Z	19- 28
A377 4466	Cushion	11- 12
A377 4726	Stepped Screw - M4x8x14	13- 13
A377 4736	Timing Belt Stopper	13- 10
A377 4738	Harness Bracket	15- 24
A377 4741	Roller - M14	13- 11
A377 4742	Slider Guide	13- 19
A377 5460	Transport Sensor Harness	25- 13

Part No.	Description	Page and Index No
A377 5460	Transport Sensor Harness	27- 24
A377 7121	Right Guide (2 Holes)	33- 14
A377 7130	Left Guide (2Holes)	33- 9
A377 7147	H.P. Sensor Bracket	33- 13
A377 7161	Punch Knob	29- 21
A377 7165	Punch Lock Bracket	29- 27
A469 2123	Rubber Cushion - 1x10x10mm	33- 23
A469 3142	Idle Pulley Stud - Long	17- 17
A498 6085	Caster Stopper	31- 20
A499 2444	Middle Belt Roller	9- 24
A499 2444	Middle Belt Roller	13- 4
A555 3231	Bin Guide Roller	11- 9
A606 1123	Spacer	27- 2
A606 1546	Rear Cover	7- 1
A606 1556	Left Cover	7- 21
A606 1595	Small Door Cover	7- 12
A606 1605	Stapler Cover	15- 20
A606 1606	Harness Cover	15- 19
A606 1607	Entrance Guide	15- 21
A606 1855	Decal - Misfeed Removal	35- 4
A606 1855	Decal - Misfeed Removal	19- 25
A606 1885	Decal - Hopper	35- 5
A606 1885	Decal - Hopper	33- 22
A606 1890	Decal - Punch Position (2 Holes)	35- 3
A606 1895	Decal - Punch Position (3 Holes)	35- 3
A606 2126	Relay Guide	29- 6
A606 2180	Lower Entrance Guide	29- 4
A606 2328	Junction Gate Cushion	11- 11
A606 2328	Junction Gate Cushion	27- 18
A606 3112	Long Helical Wheel	17- 3
A606 3536	Bin end Fence	17- 10
A606 4156	Jogger Cushion	19- 6
A606 4711	Stapler Solenoid	15- 27
A606 4712	Stapler Entrance Guide	15- 25
A606 4728	Pulley - 30Z	13- 6

Part No.	Description	Page and Index No.
A606 4831	Stapler Slider	13- 8
A606 4831	Stapler Slider	15- 1
A606 4837	Roller - 12	13- 9
A606 4841	Slide Rail	15- 2
A606 4851	Middle Bracket	15- 3
A606 4854	Roller - 10	15- 4
A606 4861	Stapler Bracket	15- 7
A606 4864	Lock Lever	15- 16
A606 4865	Lock Lever Grip	15- 15
A606 4866	Lever Shaft - Long	15- 14
A606 4871	Release Lever Bracket	15- 12
A606 4872	Stapler Stop Lever	15- 11
A606 4873	Spring Plate	15- 10
A606 4881	Stepped Screw	15- 9
A606 4882	Guide Plate	13- 3
A606 4883	Spacer	15- 8
A606 5110	Punch Control Board	33- 17
A606 5230	Stapler Harness	13- 18
A606 5230	Stapler Harness	15- 26
A606 5250	Relay Harness - Jogger	19- 30
A606 5270	Bin Sensor Harness - Upper	25- 5
A606 5280	Bin Sensor Harness - Lower	31- 6
A606 5300	Punch Harness	33- 16
A606 5310	Relay Harness	33- 15
A606 7121	Right Guide (3 Holes)	33- 14
A606 7131	Left Guide (3Holes)	33- 9
A606 7141	Punch Drive Bracket (2 Holes)	33- 20
A664 1151	Stay	31- 19
A664 1151	Stay	27- 14
A664 1151	Stay	25- 15
A664 1181	Stay:Middle	29- 18
A664 2131	Guide Plate:right Lower	29- 22
A664 4131	Upper Jogger Stay Ass'y	19- 16
A664 4133	Lower Jogger Stay Ass'y	19- 21
A664 4745	Stapler Harness Cover	13- 17

Part No.	Description	Page and Index No
A664 5230	DC Harness - Main Motor	21- 21
A697 1125	Stepped Screw - Lever	33- 6
A697 1150	Hopper Bracket	33- 2
A812 7212	Pin - Front	33- 24
A812 7213	Pin - Rear	33- 25
A812 7214	Film - Front	33- 26
A812 7215	Film - Rear	33- 27
A812 7321	Dust Hopper Stopper	33- 3
A812 7331	Lock Spring	33- 7

Part No.	Description	Page and Index No.
5053 0447	Bushing - 6mm	31- 3
5053 0447	Bushing - 6mm	25- 3
5053 0447	Bushing - 6mm	23- 13
5053 0447	Bushing - 6mm	21- 19
5206 2684	Shoulder Screw - M3	19- 26
5206 2686	Snap Ring	23- 17
5214 1811	Idle Pulley - 20z	19- 34
5215 2621	Snap Ring - M6	27- 22
5324 1658	Bushing- 4x8x4.5mm	9- 13
5403 2075	Stepped Screw	29- 17
5403 6246	Stepped Screw - Cleaning	21- 20
5413 1882	Stepped Screw	29- 20
5413 1882	Stepped Screw	15- 6
5442 1659	Stepped Screw - M4	15- 23
5442 5839	Angle - Cord Clamp 30	23- 4
5447 2681	Snap Ring	9- 27
5447 2681	Snap Ring	23- 23
5447 2768	Stepped Screw - M3	27- 1
5875 2088	Shoulder Screw - M4	33- 8
5875 2088	Shoulder Screw - M4	15- 28
5887 2245	Spring Anchor	19- 27
5887 2291	Idle Roller	17- 19
5887 4185	Idler Pulley	13- 15
5887 4185	Idler Pulley	19- 4
5887 4400	Guide Roller - Driven Unit	9- 15
5940 2641	Feed-in Solenoid Spring	27- 20

Part No.	Description	Page and Index No
0314 0040B	Philips Pan Head Screw - M4x4	15-108
0315 0080B	Philips Pan Head Screw - M5x8	31-101
0353 0050B	Philips Truss Head Screw - M3x5	23-110
0353 0080B	Screw - M3X8	27-103
0353 0100B	Screw - M3X10	15-106
0353 0100B	Screw - M3X10	33-102
0353 0140B	Bind Screw - M3x14	25-104
0354 0050B	Bind Screw - M4x5	29-102
0354 0060B	Screw - M4X6	17-101
0354 0060B	Screw - M4X6	7-106
0354 0060B	Screw - M4X6	33-108
0354 0060B	Screw - M4X6	31-109
0354 0060B	Screw - M4X6	15-101
0354 0060B	Screw - M4X6	13-105
0354 0060Z	Philips Truss Head Screw - M4x6	31-107
0354 0060Z	Philips Truss Head Screw - M4x6	29-103
0354 0100B	Screw - M4X10	17-108
0354 0120B	Screw - M4X12	7-103
0450 3008B	Tapping Screw - M3x8	27-105
0450 3008B	Tapping Screw - M3x8	19-106
0450 4008B	Tapping Screw - 4x8	7-104
0450 4012B	Tapping Screw - M4x12	29-106
0451 3006B	Tapping Screw - M3x6	9-103
0451 3006B	Tapping Screw - M3x6	31-108
0451 3006B	Tapping Screw - M3x6	11-102
0451 3006B	Tapping Screw - M3x6	23-102
0451 3010B	Tapping Screw - M3x10	19-105
0451 4006B	Tapping Screw - 4x6	21-102
0451 4006B	Tapping Screw - 4x6	13-102
0451 4006B	Tapping Screw - 4x6	31-102
0451 4006B	Tapping Screw - 4x6	19-101
0451 4006B	Tapping Screw - 4x6	25-102
0451 4006B	Tapping Screw - 4x6	17-104
0451 4006B	Tapping Screw - 4x6	33-101
0451 4006B	Tapping Screw - 4x6	15-107

Part No.	Description	Page and Index No.
0451 4006B	Tapping Screw - 4x6	29-101
0451 4006B	Tapping Screw - 4x6	7-105
0451 4006B	Tapping Screw - 4x6	23-103
0451 4006B	Tapping Screw - 4x6	27-101
0451 4006H	Tapping Screw 4x6	7-101
0451 4008H	Tapping Screw - 4x8	7-102
0452 3010B	Tapping Bind Screw - M3x10	29-104
0453 3014B	Taping Screw - M3x14	31-106
0574 0040E	Hexagon Headless Set Screw - M4x4	9-101
0574 0040E	Hexagon Headless Set Screw - M4x4	17-102
0574 0040E	Hexagon Headless Set Screw - M4x4	23-104
0574 0040E	Hexagon Headless Set Screw - M4x4	33-105
0574 0040E	Hexagon Headless Set Screw - M4x4	19-110
0574 0040E	Hexagon Headless Set Screw - M4x4	21-107
0632 0100G	Pin - 2x10mm	21-106
0633 0080G	Parallel Pin - 3x8	9-109
0720 0030E	Retaining Ring - M3	9-107
0720 0040E	Retaining Ring - M4	23-112
0720 0040E	Retaining Ring - M4	9-105
0720 0040E	Retaining Ring - M4	27-102
0720 0040E	Retaining Ring - M4	11-101
0720 0040E	Retaining Ring - M4	21-108
0720 0040E	Retaining Ring - M4	25-103
0720 0040E	Retaining Ring - M4	15-103
0720 0040E	Retaining Ring - M4	31-104
0720 0040E	Retaining Ring - M4	13-104
0720 0040E	Retaining Ring - M4	19-104
0720 0060E	Retaining Ring - M6	17-109
0720 0060E	Retaining Ring - M6	33-107
0720 0060E	Retaining Ring - M6	19-103
0720 0060E	Retaining Ring - M6	23-105
0720 0060E	Retaining Ring - M6	21-105
0720 0080E	Retaining Ring - M8	19-107
0720 0080E	Retaining Ring - M8	11-103
0741 3006	Ball Bearing - 6x17x6mm	17-103

Part No.	Description	Page and Index No
0741 3506	Ball Bearing - 6x12x4 mm	9-108
0800 0072	Philips Pan Head Screw - M2.6x4	23-111
0805 3048	Needle Roller Bearing - 6x10x9	11-104
0951 3005B	Philips Screw With Flat Washer M3x5	13-106
0951 3005B	Philips Screw With Flat Washer M3x5	19-109
0951 3005B	Philips Screw With Flat Washer M3x5	23-108
0951 3005B	Philips Screw With Flat Washer M3x5	33-103
0951 4006B	Philips Screw With Washer - M4x6	33-109
0951 4006B	Philips Screw With Washer - M4x6	9-106
0951 4006B	Philips Screw With Washer - M4x6	17-107
0951 4006B	Philips Screw With Washer - M4x6	23-106
0951 4006B	Philips Screw With Washer - M4x6	21-110
0951 4006B	Philips Screw With Washer - M4x6	19-102
0951 4006W	Philips Screw With Flat Washer - M4x6	29-105
1005 0946	Stepping Motor Cushion	17-110
1005 0964	Cushion - Stepper Motor	9-102
1005 0964	Cushion - Stepper Motor	33-104
1005 0964	Cushion - Stepper Motor	23-101
1105 0034	Nylon Clamp - 7n	21-101
1105 0134	Locking Support	21-103
1105 0159	PCB Stud	33-106
1105 0196	Harness Clamp	27-106
1105 0196	Harness Clamp	25-106
1105 0231	Clamp	17-106
1105 0267	Harness Clamp - YMC-10-0	15-102
1105 0291	Harness Clamp - LWS-3S	23-109
1105 0310	Harness Clamp - LWS-1S	13-101
1105 0310	Harness Clamp - LWS-1S	19-108
1105 0310	Harness Clamp - LWS-1S	9-104
1105 0310	Harness Clamp - LWS-1S	23-107
1105 0310	Harness Clamp - LWS-1S	31-105
1105 0310	Harness Clamp - LWS-1S	17-105
1105 0310	Harness Clamp - LWS-1S	21-104
1105 0328	Harness Clamp - ES-0505	15-104
1105 0328	Harness Clamp - ES-0505	13-103

Part No.	Description	Page and Index No.
1106 0193	Bushing - 7.9mm	25-105
1106 0193	Bushing - 7.9mm	15-105
1106 0193	Bushing - 7.9mm	13-107
1106 0193	Bushing - 7.9mm	27-107
1106 0349	Bushing - 25	31-103
1106 0430	Bushing - 13mm	27-104
1107 0884	Fuse - 5A 250V	21-109
1204 2384	Interlock Switch	25-101

Part No.	Description	Page and Index No